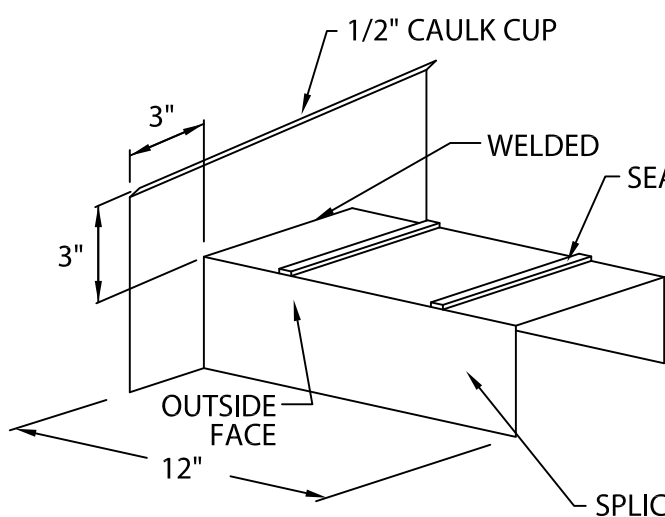
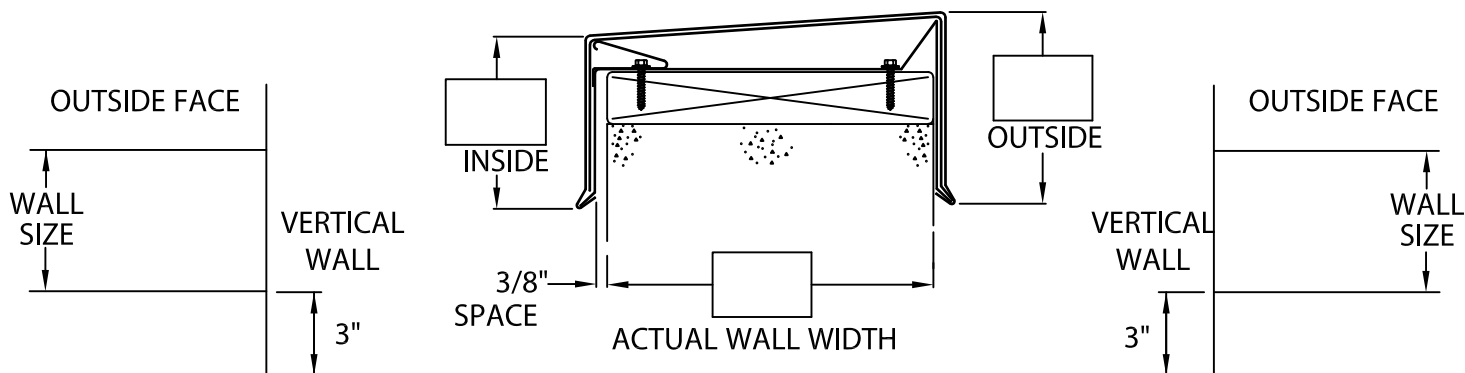
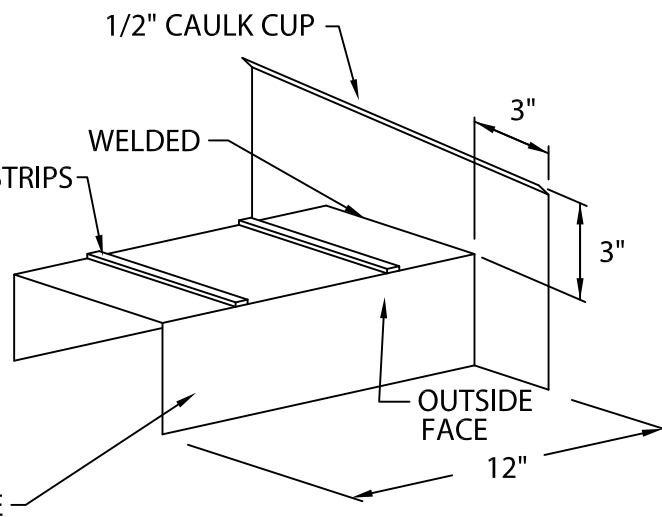


# ENDWALL FLASHING

SPLICE PLATE VERSION



**RIGHT END**



**LEFT END**

DIRECTION IS DETERMINED AS SEEN FROM ROOF SIDE

**MATERIAL:**

.040" ALUMINUM

COLOR: \_\_\_\_\_

FINISH: \_\_\_\_\_

**QUANTITIES:**

\_\_\_\_\_ RIGHT END FLASHING

\_\_\_\_\_ LEFT END FLASHING

AUTHORIZED SIGNATURE:

APPROVED BY: \_\_\_\_\_

DATE: \_\_\_\_\_

PROJECT:

ARCHITECT:

ROOFING CONTRACTOR:

REPRESENTATIVE/DISTRIBUTOR:

CUSTOMER SERVICE  
PHONE: 800-588-2162  
FAX: 800-373-9156  
WWW.METALERA.COM/GENFLEX



DATE: 02/20/21

DRN BY: JJC

CKD BY: MM

SHT.# \_\_\_\_ OF \_\_\_\_

DWG# 22011-7299

**E**