

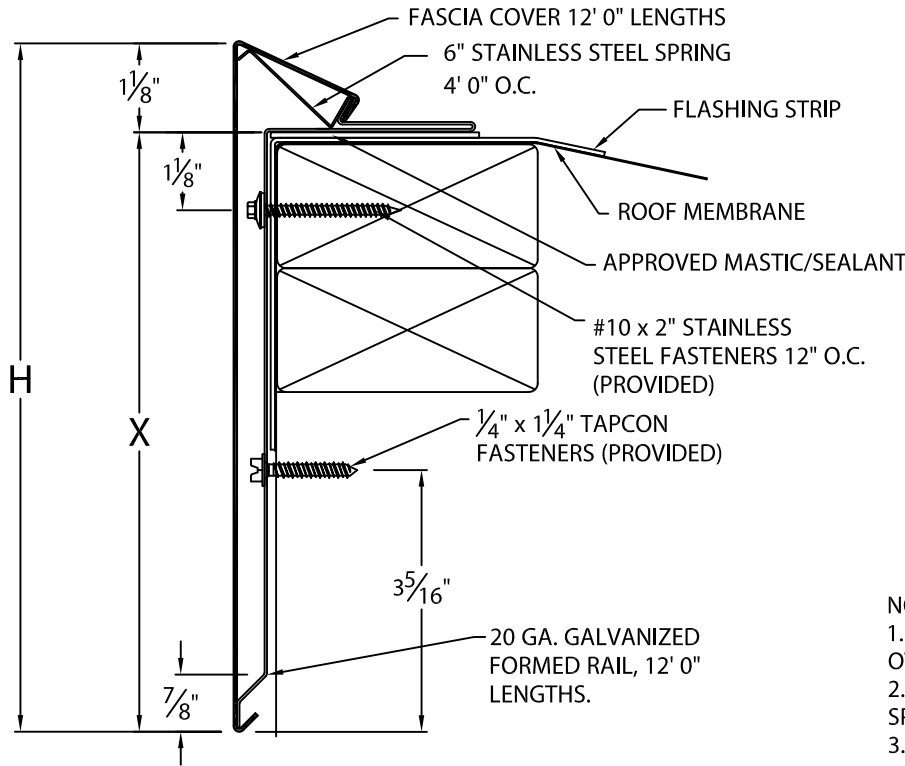


ONE EDGE EXTENDED

BUILT-UP OR MODIFIED VERSION

ANSI/SPRI ES-1 DESIGN PRESSURE OF 146 psf

.050" AND .063" MATERIAL



NOTES:

1. SEALANTS AND ROOF MEMBRANE SUPPLIED BY OTHERS.
2. FASCIA COVER PROVIDED WITH 3 1/2" WIDE SPLICE PLATES.
3. RAIL MITERS ARE NOT PROVIDED (COVER ONLY).

FASCIA DIMENSIONS

PRODUCT ID. NO.	H DIM	X DIM	NAILER COVERAGE
<input type="checkbox"/> ESE-M95	9 1/2"	8 3/8"	5 NAILERS
<input type="checkbox"/> ESE-M110	11"	9 7/8"	6 NAILERS
<input type="checkbox"/> ESE-M125	12 1/2"	11 3/8"	7 NAILERS

MATERIAL:

___ .050" Aluminum

___ .063" Aluminum

___ OTHER _____

Color: _____ Finish: _____

Fabrication will proceed only after receipt of signed print approval.

Print Approval:

Architect and/or contractor shall verify all dimensions, sizes and quantities. All products to be installed in strict accordance with Metal-Era's printed instructions.

Approved by: _____

Date: _____

QUANTITIES:

_____ Lineal Feet 12'-0" Lengths

_____ Outside Miter(s) @ 90° (Cover Only)

_____ Inside Miter(s) @ 90° (Cover Only)

FOR NON-90 MITERS SEE PRINT APPROVAL #11010-1103

PROJECT:

ARCHITECT:

ROOFING CONTRACTOR:

REPRESENTATIVE/DISTRIBUTOR:

Corporate Offices, Manufacturing
1600 Airport Road; Waukesha, WI 53188
Phone: 800-558-2162
Fax: 800-373-9156
www.metalera.com



DATE: 07/13/18

DRN BY: JJC

CKD BY: SAK

SHT.# ___ OF ___

DWG# 24010-11608