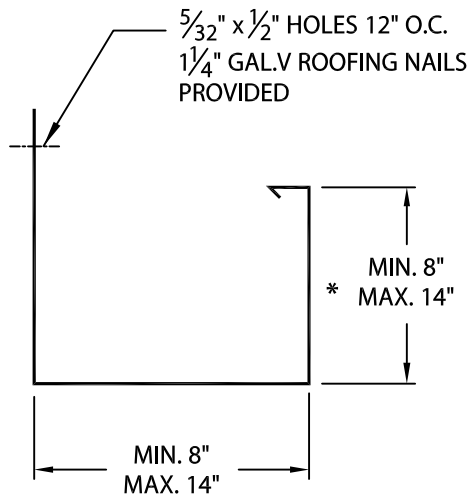
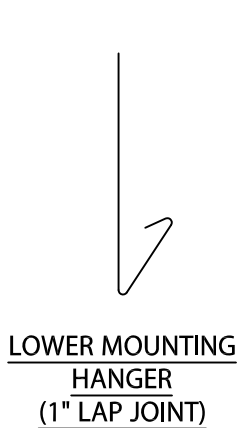
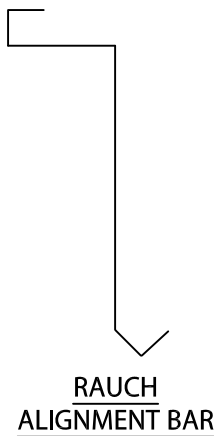
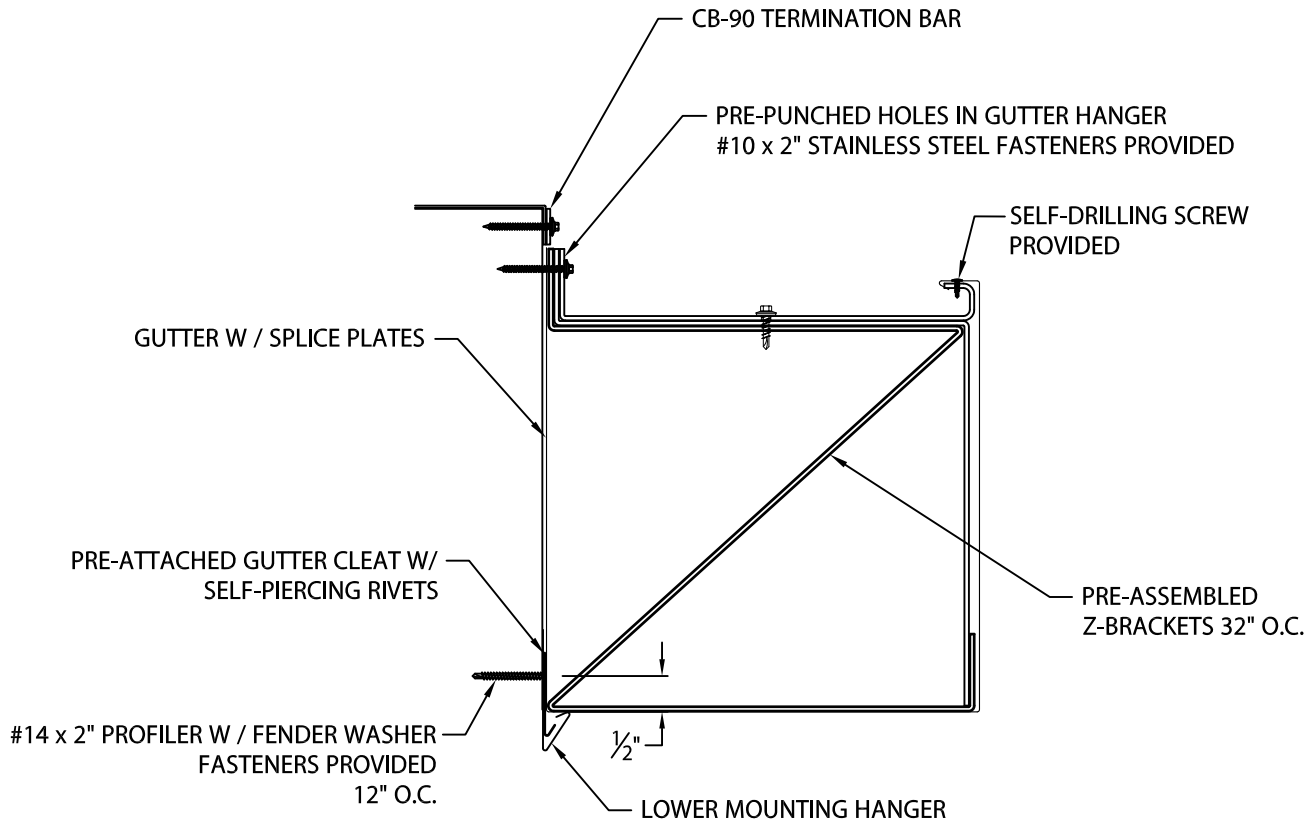




FIBERTITE INDUSTRIAL XL GUTTER

BOX VERSION WITH CB-90 TERMINATION BAR



FRONT FACE HEIGHT MUST MATCH BOTTOM WIDTH

* DIMENSION MUST BE A MINIMUM 1" LESS THAN BACKER HEIGHT



Phone: 800-927-8578 ext. 1235 fax: 330-263-6950

DATE: 06/08/23
DRN BY: MLM
CKD BY: MM

SHT.# ____ OF ____

DWG# 23512-40936

A