

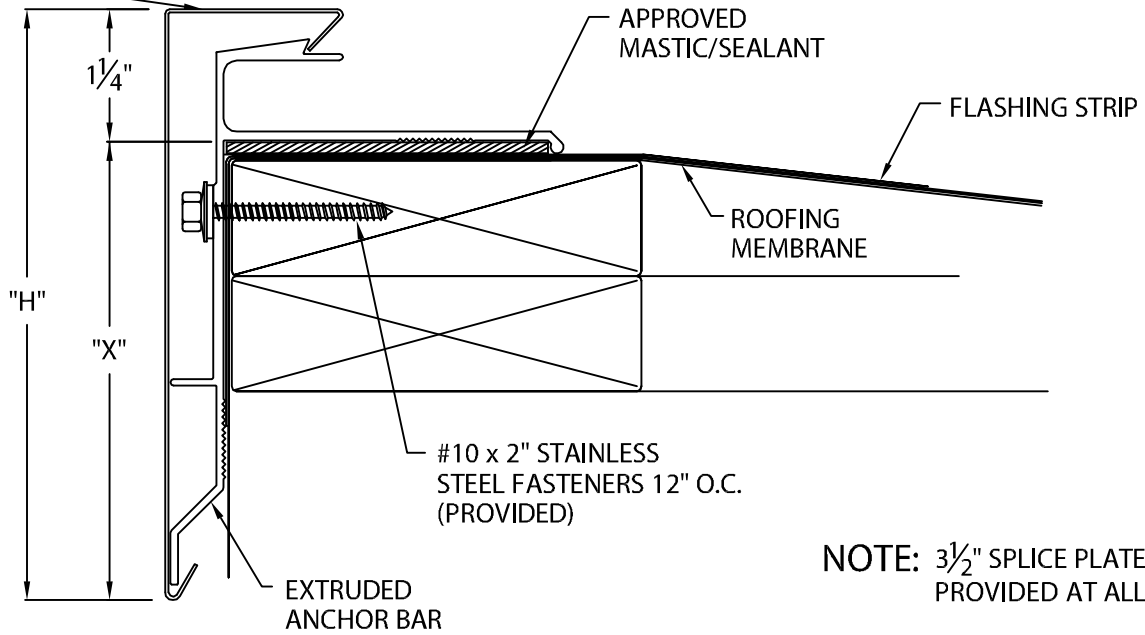


# SOPRA-TITE HG FASCIA

BUILT-UP OR MODIFIED VERSION

ANSI/SPRI ES-1 DESIGN PRESSURE OF 365 psf

FASCIA COVER  
12'-0" LENGTHS



NOTE: 3/2" SPLICE PLATES PROVIDED AT ALL JOINTS

## SOPRA-TITE HG FASCIA DIMENSIONS

PRODUCT ID. NO.	H DIM	X DIM	NAILER COVERAGE
<input type="checkbox"/> HG-AFM-55	5 1/2"	4 1/4"	2 NAILERS
<input type="checkbox"/> HG-AFM-70	7"	5 3/4"	3 NAILERS

## MATERIAL:

\_\_\_ .050" Aluminum

\_\_\_ .063" Aluminum

\_\_\_ OTHER \_\_\_\_\_

Color: \_\_\_\_\_ Finish: \_\_\_\_\_

Fabrication will proceed only after receipt of signed print approval.

## Print Approval:

Architect and/or contractor shall verify all dimensions, sizes and quantities. All products to be installed in strict accordance with Soprema's printed instructions.

Approved by: \_\_\_\_\_

Date: \_\_\_\_\_

## QUANTITIES:

\_\_\_\_\_ Lineal Feet 12'-0" Lengths

\_\_\_\_\_ Outside Miter(s) @ 90°

\_\_\_\_\_ Inside Miter(s) @ 90°

\_\_\_\_\_ Overflow Scupper Style \_\_\_A\_\_\_B

\_\_\_\_\_ Spillout Scupper Style \_\_\_A\_\_\_B

\_\_\_\_\_ Downspout Scupper Style \_\_\_A\_\_\_B

(\_\_\_X\_\_\_) Size A: Tapered 1 1/2" Drop  
B: Flat

FOR NON-90 MITERS SEE PRINT APPROVAL #33010-20199

PROJECT:

ARCHITECT:

ROOFING CONTRACTOR:

REPRESENTATIVE/DISTRIBUTOR:

800-356-3521

www.soprema.us

310 Quadral Dr. Wadsworth, OH 44281

f: 330-334-6257



DATE: 04/04/17

DRN BY: JJC

CKD BY: SAK

SHT.# \_\_\_ OF \_\_\_

DWG# 33010-21692

D