

FASCIA IS TO BE INSTALLED PER SPECIFICATIONS AND ATLAS ROOFING'S INSTALLATION INSTRUCTIONS DWG. # 38127-10880

COVER:

- | | |
|--|--|
| <input type="checkbox"/> 24 GA. GALVANIZED STEEL | <input type="checkbox"/> 22 GA. GALVANIZED STEEL |
| <input type="checkbox"/> .040" ALUMINUM | <input type="checkbox"/> .050" ALUMINUM |
| <input type="checkbox"/> .063" ALUMINUM | <input type="checkbox"/> OTHER _____ |

COLOR: _____ FINISH: _____

PERFORATED CLOSURE:

- | | |
|---|--|
| <input type="checkbox"/> 24 GA. GALVANIZED STEEL BONE WHITE | <input type="checkbox"/> 24 GA. GALVANIZED STEEL DARK BRONZE |
| <input type="checkbox"/> 24 GA. GALVANIZED STEEL SANDSTONE | <input type="checkbox"/> 24 GA. GALVANIZED STEEL SLATE GRAY |

QUANTITIES:

- _____ LINEAL FEET (12'-0" LENGTHS)
- _____ EAVE TO EAVE OUTSIDE MITERS @ 90°
- _____ EAVE TO EAVE INSIDE MITERS @ 90°
- _____ RIGHT HAND PLUG STYLE ENDCAPS
- _____ LEFT HAND PLUG STYLE ENDCAPS

FOR NON-90° EAVE TO EAVE OUTSIDE MITERS SEE PRINT APPROVAL #38018-10887
 FOR NON-90° EAVE TO EAVE INSIDE MITERS SEE PRINT APPROVAL #38018-10884
 FOR EAVE TO RAKE OUTSIDE MITERS SEE PRINT APPROVAL #38018-10888
 FOR EAVE TO RAKE INSIDE MITERS SEE PRINT APPROVAL #38018-10885

NOTES: ALL FASTENERS BY OTHERS (SEE INSTALLATION INSTRUCTIONS FOR RECOMMENDATIONS)
 COVER SHIPPED LOOSE
 **RECOMMEND TWICE THE AIR SPACE - CONSULT ATLAS ROOFING.
 TECHNI-FLO EV IS NOT INTENDED FOR ATTACHMENT TO OPEN ENDED METAL TRUSS OR METAL BAR JOIST APPLICATIONS.

"H" DIMENSION:

- | | | |
|---------------------------------------|---------------------------------------|---------------------------------------|
| <input type="checkbox"/> 6" COVERAGE | <input type="checkbox"/> 8" COVERAGE | <input type="checkbox"/> 10" COVERAGE |
| <input type="checkbox"/> 12" COVERAGE | <input type="checkbox"/> 14" COVERAGE | <input type="checkbox"/> 16" COVERAGE |
| <input type="checkbox"/> OTHER: _____ | | |


Fabrication will proceed only after receipt of signed print approval.

Print Approval:

Architect and/or contractor shall verify all dimensions, sizes and quantities. All products to be installed in strict accordance with Atlas Roofing's printed instructions.

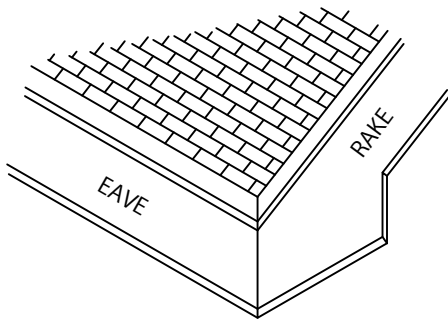
Approved by: _____

Date: _____

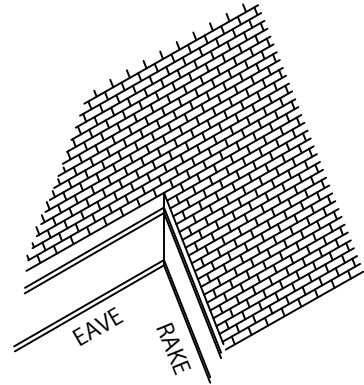
PROJECT:	 Phone: 855-542-0918 Fax: 800-770-3934 atlasroofing.com		
ARCHITECT:			
CONTRACTOR:	DATE: 09/01/22	SHT.# ___ OF ___	
REPRESENTATIVE:	DRN BY: MLM	DWG# 38027-10878	
	CKD BY: MM		

HI-PERF VENTED FASCIA

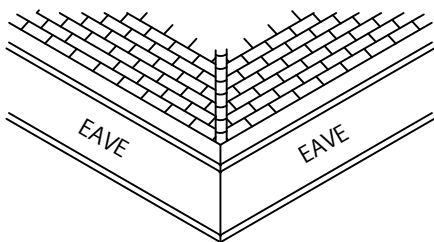
VENTED FASCIA STANDARD ACCESSORIES



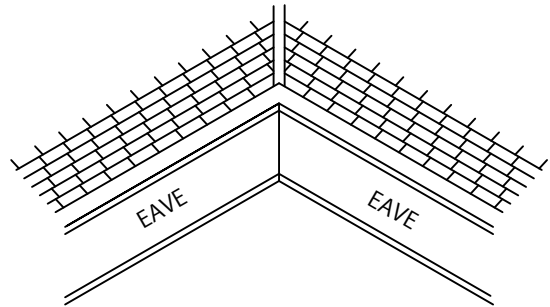
OUTSIDE EAVE TO RAKE MITER
RIGHT HAND MITER SHOWN
SEE PRINT APPROVAL #31018-7525



INSIDE EAVE TO RAKE MITER
RIGHT HAND MITER SHOWN
SEE PRINT APPROVAL #31018-7524

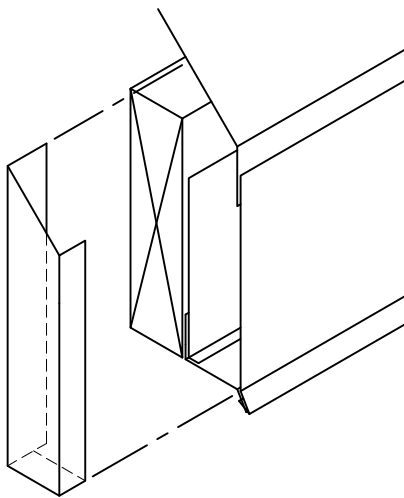


OUTSIDE EAVE TO EAVE MITER
RIGHT HAND MITER SHOWN



INSIDE EAVE TO EAVE MITER
RIGHT HAND MITER SHOWN

PLUG STYLE ENDCAP
LEFT HAND ENDCAP SHOWN



Techni-Flo
Engineered Roof Ventilation

Phone: 855-542-0918

Fax: 800-770-3934

atlasroofing.com

DATE: 09/01/22

SHT.# ___ OF ___

DRN BY: MLM

CKD BY: MM

DWG# 31027-7029

H