

# ANCHOR-TITE EXTENDED RADIUS FASCIA

FULLY ADHERED OR MECHANICALLY ATTACHED SINGLE-PLY VERSION

**IMPORTANT!!!** MUST INDICATE PROPER RADIUS CONDITION BY CIRCLING APPROPRIATE OUTSIDE FACE

PROVIDING A RADIUS  
THE RADIUS MAY BE PROVIDED  
IN ONE OF TWO METHODS:

1.) THE ACTUAL KNOWN RADIUS IS

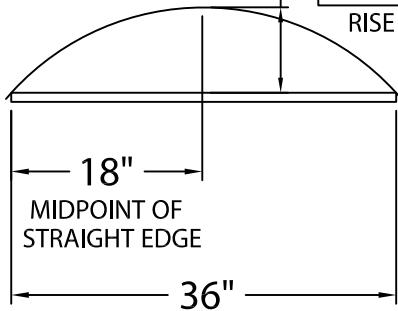
\_\_\_\_\_ ' FEET \_\_\_\_\_ " INCHES

OR

2.) FIELD CONDITION MEASUREMENTS

NOTE: REFER TO ATTACHED WORKSHEET  
FOR FURTHER INFORMATION

\_\_\_\_\_ " INCHES

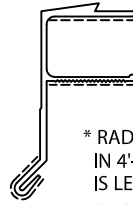


MINIMUM OF 4'-6"  
(CALL IF LESS)  
\* RADIUS PRODUCT NOT  
REQUIRED IF OVER 150'-0"

MAXIMUM OF 3<sup>3</sup>/<sub>32</sub>"  
(CALL IF MORE)  
\* RADIUS PRODUCT NOT  
REQUIRED IF UNDER 3<sup>3</sup>/<sub>32</sub>"

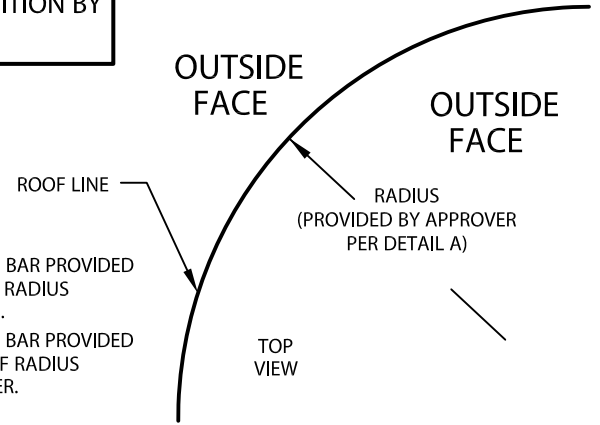
NOTE: CHECK MEASUREMENTS ALONG ENTIRE RADIUS.

DETAIL A



\* RADIUS EXTRUDED BAR PROVIDED  
IN 4'-0" LENGTHS IF RADIUS  
IS LESS THAN 48'-0".

\* RADIUS EXTRUDED BAR PROVIDED  
IN 12'-0" LENGTHS IF RADIUS  
IS 48'-0" OR GREATER.



--- INDICATES AREAS THAT WILL BE SLIT AS  
NEEDED TO ACCOMODATE RADIUS



\* RADIUS FASCIA  
PROVIDED IN 4'-0"  
LENGTHS IF RADIUS IS  
LESS THAN 48'-0".

\* RADIUS FASCIA  
PROVIDED IN 12'-0"  
LENGTHS IF RADIUS IS  
48'-0" OR GREATER.



\* RADIUS CLEAT  
PROVIDED IN 4'-0"  
LENGTHS IF RADIUS IS  
LESS THAN 48'-0".

\* RADIUS CLEAT  
PROVIDED IN 12'-0"  
LENGTHS IF RADIUS IS  
48'-0" OR GREATER.

## ANCHOR-TITE EXTENDED RADIUS FASCIA DIMENSIONS

PRODUCT ID. NO.	H DIM	X DIM
<input type="checkbox"/> AEF-85	8 1/2"	7 1/4"
<input type="checkbox"/> AEF-100	10"	8 3/4"
<input type="checkbox"/> AEF-115	11 1/2"	10 1/4"
<input type="checkbox"/> AEF-130	13"	11 3/4"

Fabrication will proceed only after receipt of  
signed print approval.

## Print Approval:

Architect and/or contractor shall verify all  
dimensions, sizes and quantities. All  
products to be installed in strict accordance  
with Metal-Era's printed instructions.

Approved by: \_\_\_\_\_

Date: \_\_\_\_\_

## MATERIAL:

\_\_\_ 22 GA. GALV. STEEL    \_\_\_ .063" ALUMINUM

\_\_\_ .050" ALUMINUM    \_\_\_ OTHER \_\_\_\_\_

COLOR: \_\_\_\_\_ FINISH: \_\_\_\_\_

## QUANTITIES:

\_\_\_\_\_ LINEAL FEET 12'-0" LENGTHS

PROJECT:

ARCHITECT:

ROOFING CONTRACTOR:

REPRESENTATIVE/DISTRIBUTOR:

Corporate Offices, Manufacturing  
1600 Airport Road; Waukesha, WI 53188  
Phone: 800-558-2162  
Fax: 800-373-9156  
www.metalera.com



DATE: 11/12/19

DRN BY: JJC

CKD BY: JAI

SHT.# \_\_\_\_\_ OF \_\_\_\_\_

DWG# 11010-1164

G