

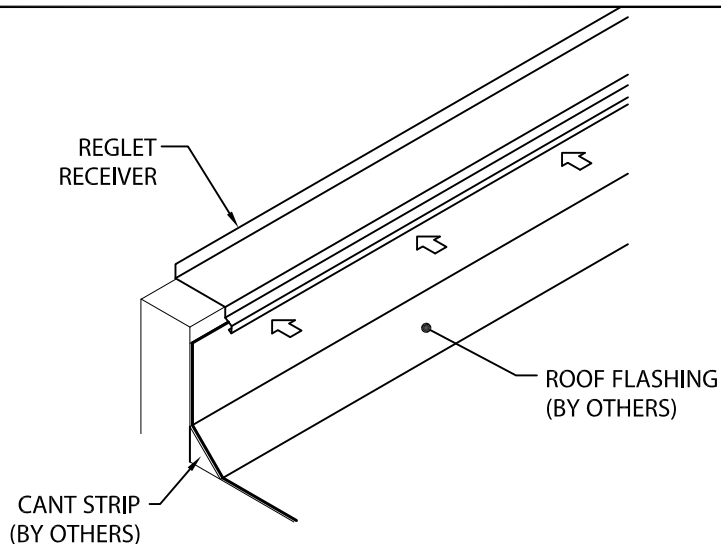
# 2 PC COUNTERFLASHING

THRU-WALL VERSION

## INSTALLATION INSTRUCTIONS

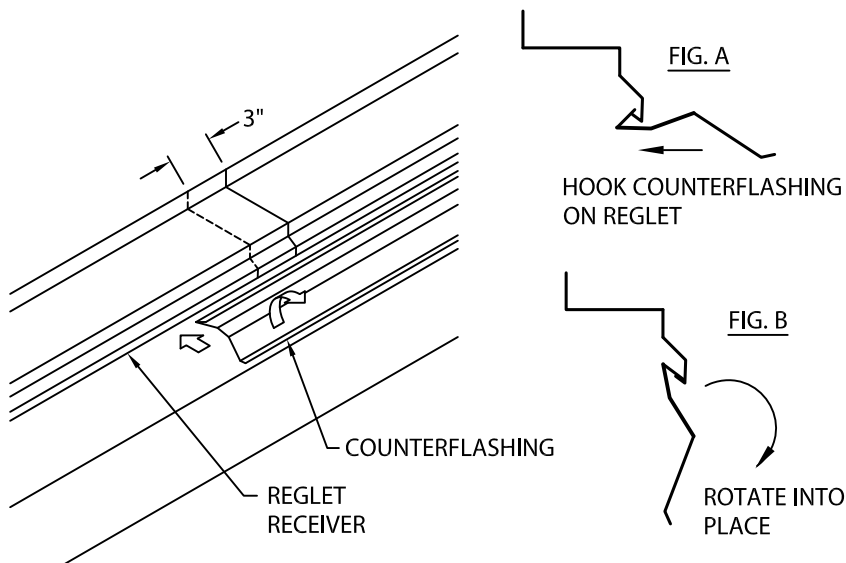
### STEP 1 - REGLET RECEIVER

INSTALL REGLET RECEIVER ONTO WALL A MINIMUM OF 7" ABOVE THE HIGH POINT OF THE CANT STRIP (IF USED). INSTALL FROM RIGHT TO LEFT. LAP ENDS OF REGLET 3" AT FACTORY NOTCHED END. NOTE: REMOVE PROTECTIVE FILM IMMEDIATELY.



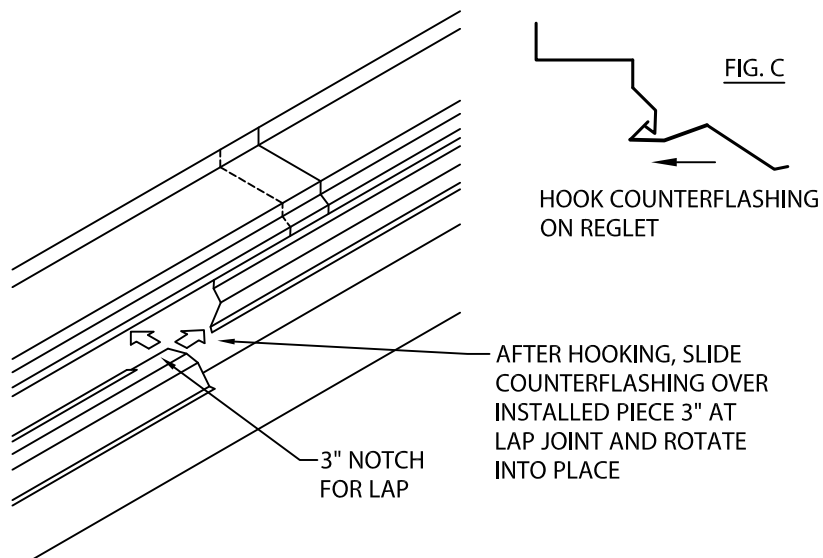
### STEP 2 - COUNTERFLASHING

PRIOR TO INSTALLING COUNTERFLASHING, REMOVE PROTECTIVE FILM. HOOK COUNTERFLASHING ONTO RECEIVER AS SHOWN IN FIG. A. ROTATE DOWNWARD INTO PLACE (FIG. B). STAGGER REGLET RECEIVER AND COUNTERFLASHING JOINTS ACCORDINGLY.



### STEP 3 - COUNTERFLASHING

REMOVE PROTECTIVE FILM. HOOK COUNTERFLASHING ONTO RECEIVER AS SHOWN IN FIG. C. SLIDE COUNTERFLASHING 3" AT LAP JOINT OVER PREVIOUSLY INSTALLED PIECE. ROTATE DOWNWARD INTO PLACE AS SHOWN IN STEP 2.



Customer Service  
866-458-3537  
(Metal-Era)

DATE: 02/21/17  
DRN BY: JAB  
CKD BY: SAK

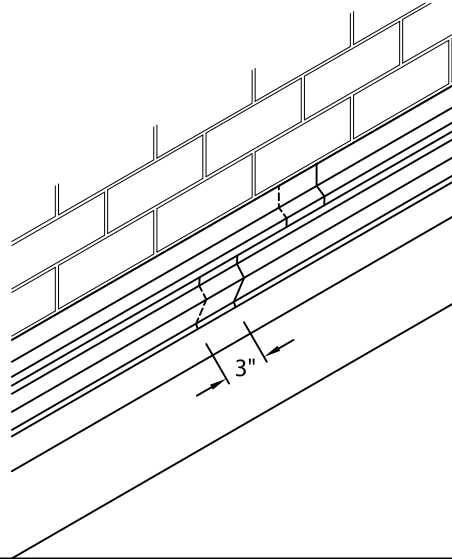
SHT.# 1 OF 2  
DWG# 15115-24514

**B**

# 2 PC COUNTERFLASHING

THRU-WALL VERSION

## INSTALLATION INSTRUCTIONS



STEP 4 - COMPLETION  
PLACE BRICK ATOP OF REGLET RECEIVER  
TO COMPLETE INSTALLATION.

### TYPICAL INSTALLATION

