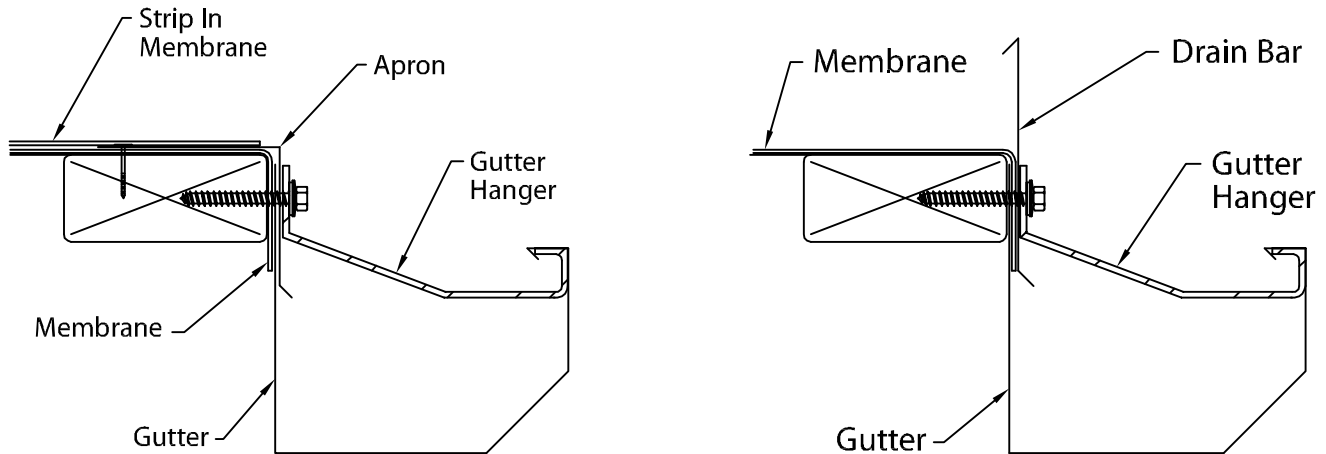


VERSICO INDUSTRIAL GUTTER

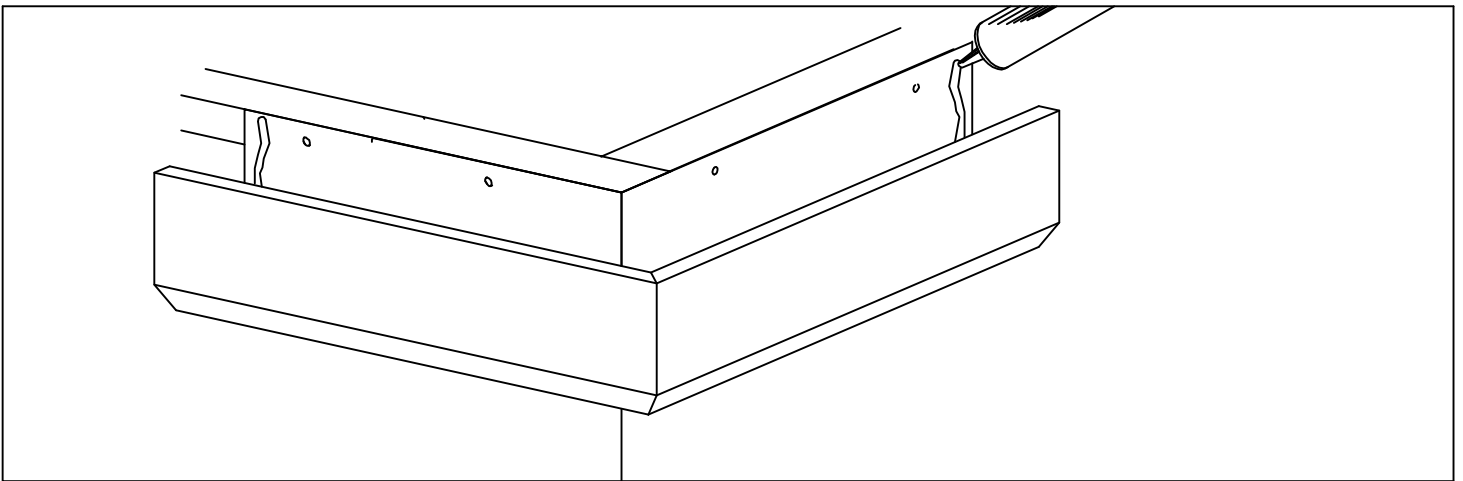
IG-1, IG-2 OR IG-B VERSION
INSTALLATION INSTRUCTIONS

TYPICAL MEMBRANE OPTIONS



STEP 1. MEMBRANE INSTALLATION

Review carefully and follow Versico's recommendations, and architect's details for installing roof membranes in conjunction with this gutter system.

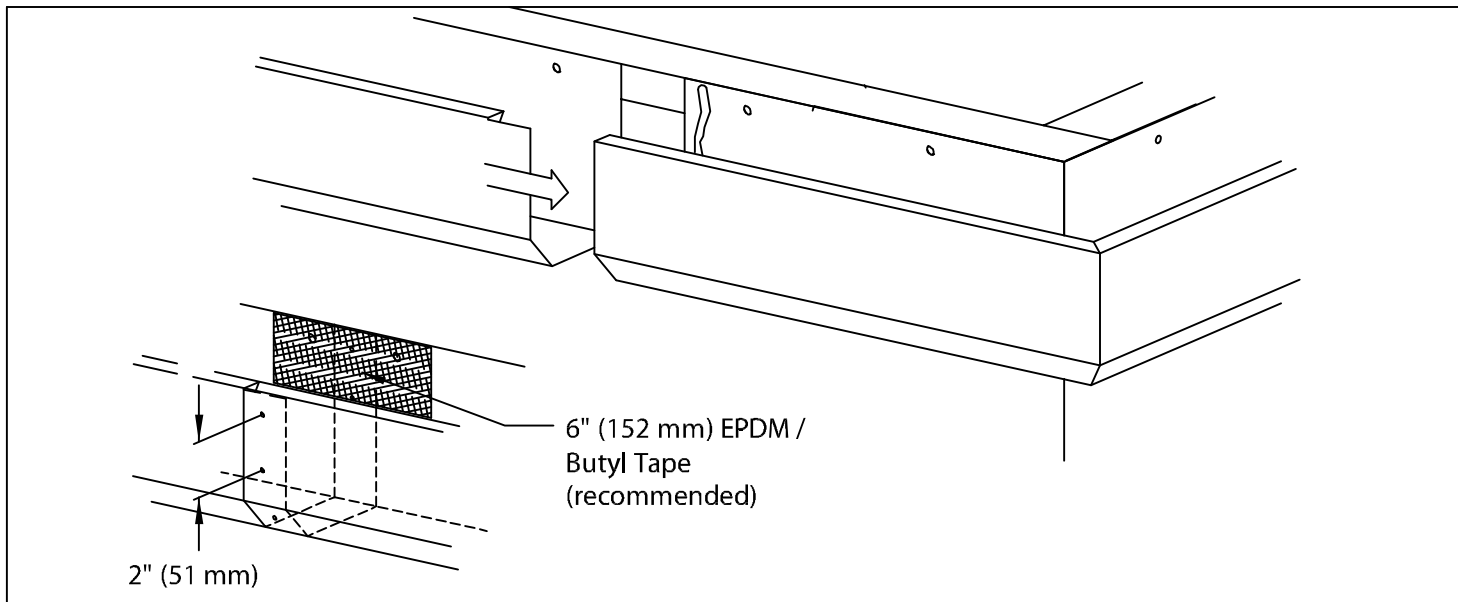


STEP 2. MITER INSTALLATION

Install miter units at locations shown on plans. Fasten to nailer through pre-slotted holes @ 12" (305 mm) O.C. using provided 1 1/4" galv. roofing nails
Apply a heavy bead of non-curing sealant to the inside of each miter end as shown.

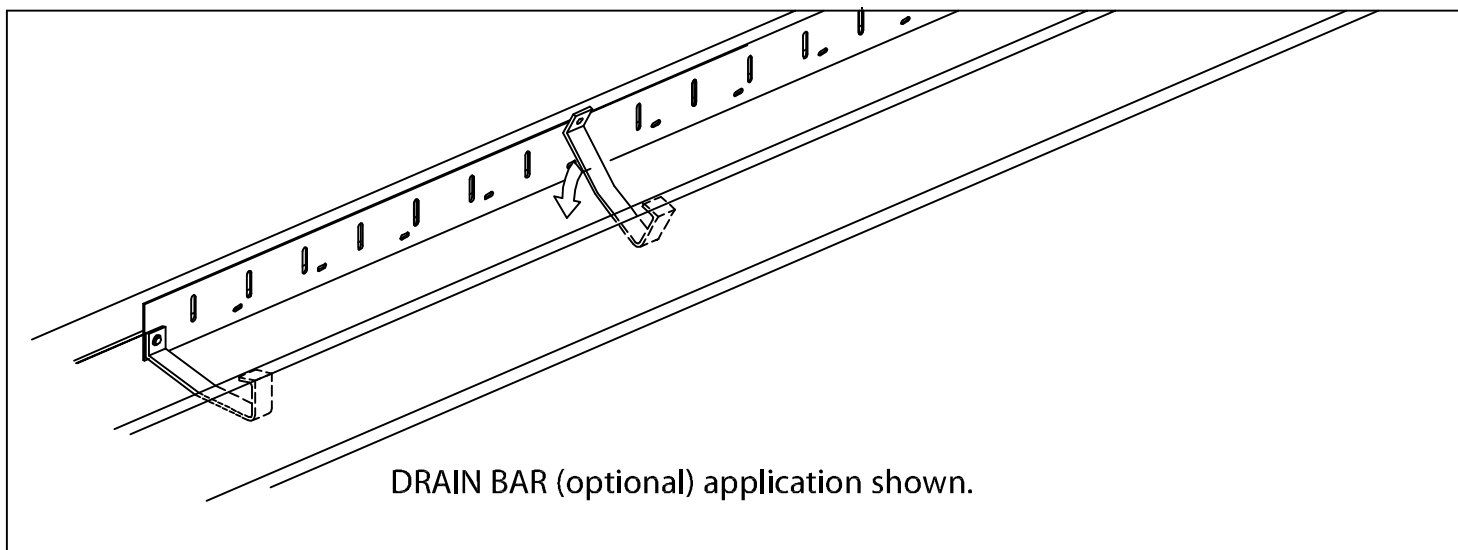
VERSICO INDUSTRIAL GUTTER

IG-1, IG-2 OR IG-B VERSION
INSTALLATION INSTRUCTIONS



STEP 3. GUTTER INSTALLATION

Install gutter sections from right to left as seen from roof. Insert notched end of gutter section into open end with applied sealant for a distance of 2". Rivet assembled sections at lap joint 2" o.c. using provided 1/8" stainless steel pop rivets. Field notch miter ends and/or expansion joints as required. Nail gutter sections to nailer at 12" O.C. using provided 1 1/4" galvanized roofing nails. Versico recommends the application of a 6" wide EPDM / Butyl pressure sensitive tape centered over the lap joint.

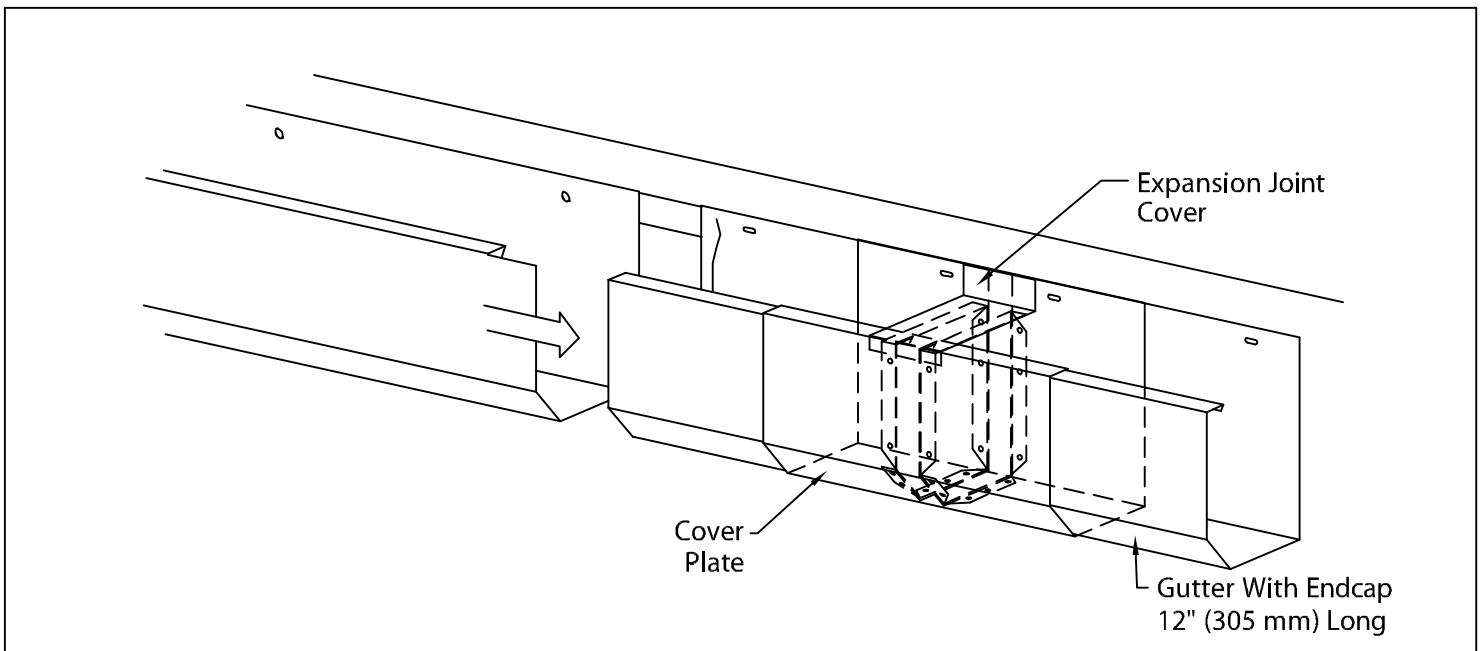


STEP 4. HANGER INSTALLATION

Hook hanger under leading edge of gutter and rotate into place. Fasten hanger @ 30" O.C. using a provided #10 x 2" stainless steel fasteners through back side of gutter into wood nailer.

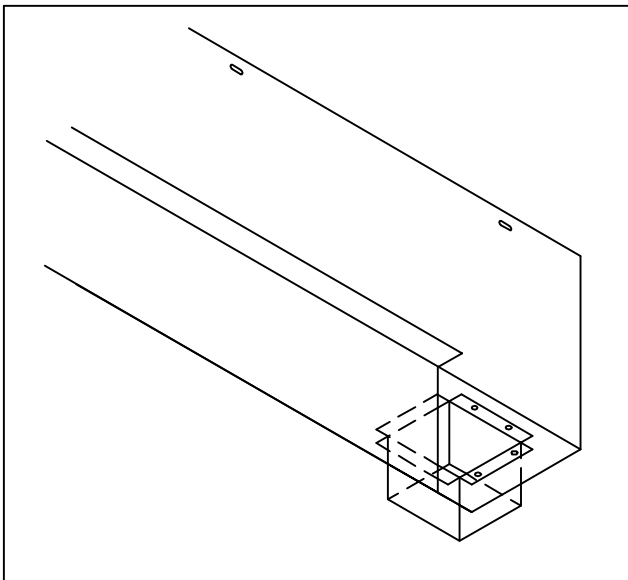
VERSICO INDUSTRIAL GUTTER

IG-1, IG-2 OR IG-B VERSION
INSTALLATION INSTRUCTIONS



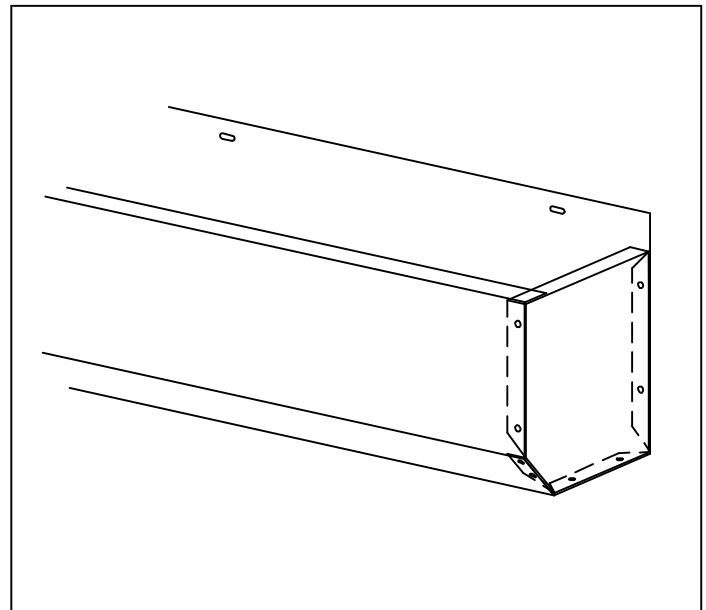
STEP 5. EXPANSION JOINT INSTALLATION (WHERE NECESSARY)

Install expansion joints in locations as specified on roof plans or at a maximum of 48'-0" (14.6 m). Nail into place as per Step #3.



STEP 6. OUTLET INSTALLATION

Determine outlet locations and field cut hole in a neat workmanlike manner. Insert aluminum outlet, fasten with provided 1/8" stainless steel pop rivets, 2 rivets in each flange and seal, with non-curing sealant.



STEP 7. END CAP INSTALLATION

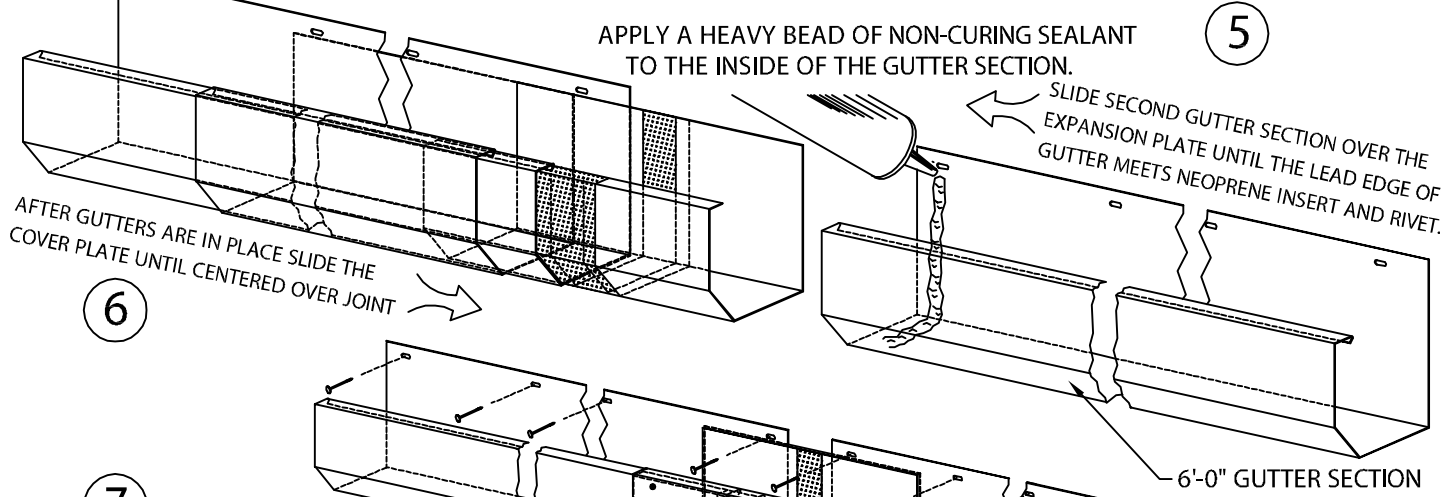
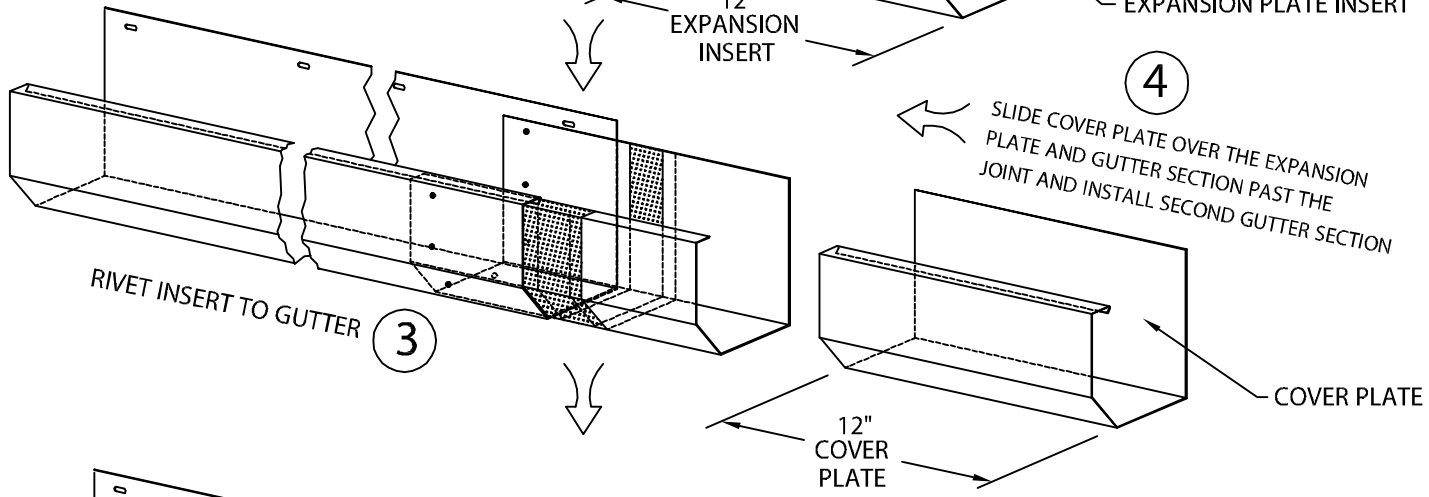
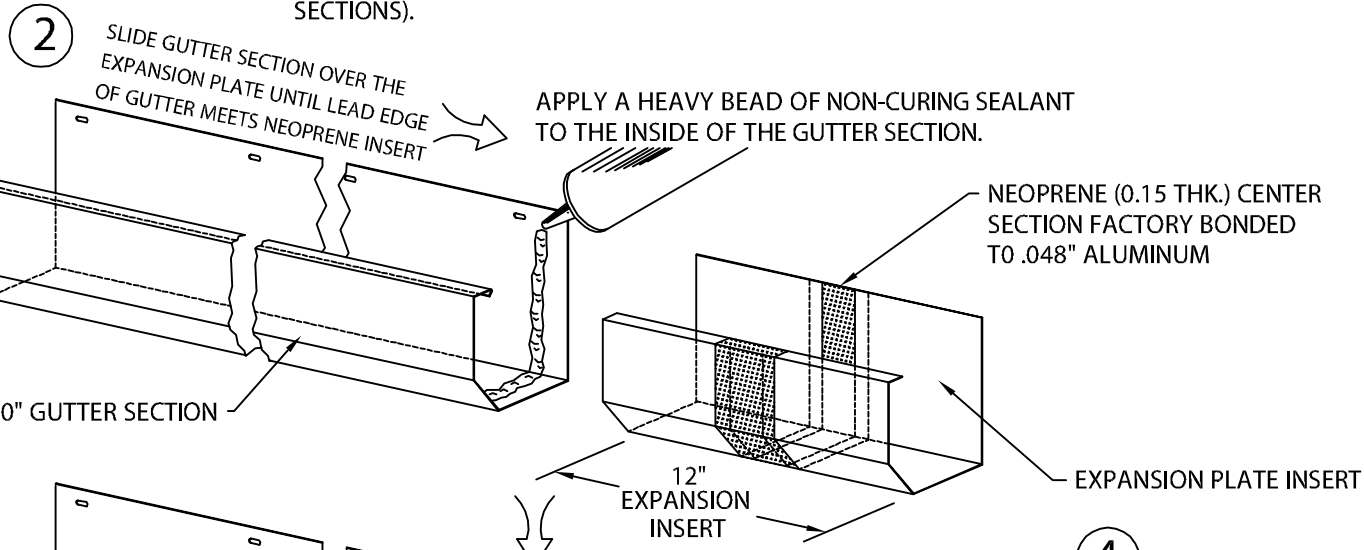
Install end caps at all terminations. Field rivet with provided 1/8" stainless steel pop rivets at 2" O.C. and seal, with non-curing sealant.

VERSICO INDUSTRIAL GUTTER

IG-1, IG-2 OR IG-B VERSION

INSTALLATION INSTRUCTIONS

1 CUT A 12'-0" SECTION OF THE GUTTER INTO (2) 6'-0" PIECES.
(THE EXPANSION JOINT IS DESIGNED TO FIT BETWEEN THE (2) 6'-0" SECTIONS).



Customer Service
800-558-2162

DATE: 02/11/16
DRN BY: JJC
CKD BY: SAK

SHT.# 4 OF 4
DWG# 18112-2022

H