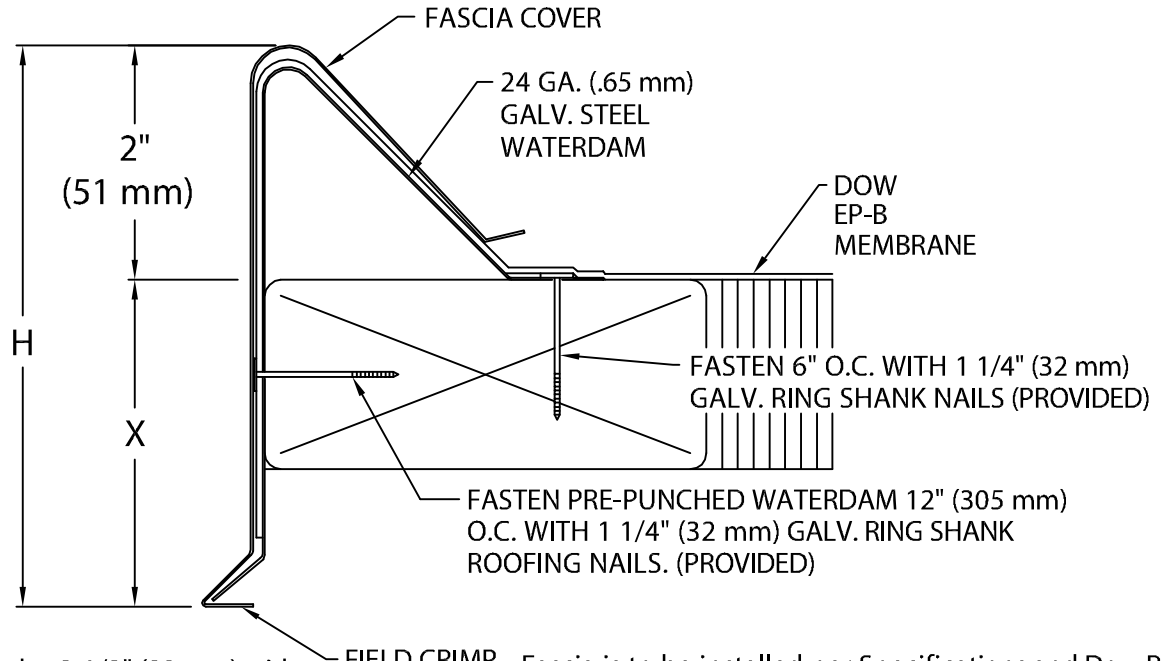


DOW SYSTEM 200 FASCIA

CRIMP-ON VERSION

ANSI/SPRI ES-1 DESIGN PRESSURE OF 150 psf



NOTE: Fascia includes 3 1/2" (89 mm) wide splice plates at all joints

Fascia is to be installed per Specifications and Dow Roofing Systems' Installation Instructions Dwg. # 12010-2985

DOW SYSTEM 200 FASCIA DIMENSIONS

PRODUCT ID. NO.	H DIM	X DIM	NAILER COVERAGE
<input type="checkbox"/> FA-S50	5" (127 mm)	3" (76 mm)	1 NAILER
<input type="checkbox"/> FA-S65	6.5" (165 mm)	4.5" (114 mm)	2 NAILERS
<input type="checkbox"/> FA-S80	8" (203 mm)	6" (152 mm)	3 NAILERS
<input type="checkbox"/> FA-S95	9.5" (241 mm)	7.5" (191 mm)	4 NAILERS
<input type="checkbox"/> FA-S110	11" (280 mm)	9" (227 mm)	5 NAILERS
<input type="checkbox"/> FA-S125	12.5" (315 mm)	10.5" (267 mm)	6 NAILERS

MATERIAL:

___ .050" (1.27 mm) Alum.

___ .063" (1.60 mm) Alum.

___ OTHER _____

Color: _____

Finish: _____

Fabrication will proceed only after receipt of signed print approval.

Print Approval:

Architect and/or contractor shall verify all dimensions, sizes and quantities. All products to be installed in strict accordance with Dow Roofing Systems' printed instructions.

Approved by: _____

Date: _____

QUANTITIES:

_____ Lineal Feet (12'-0" (3.65 m) Lengths)

_____ Outside Miters @ (_____)°

_____ Inside Miters @ (_____)°

_____ Overflow Scupper Style ___A___B

_____ Spillout Scupper Style ___A___B

_____ Downspout Scupper Style ___A___B

(____X____) Size A: Tapered 1 1/2" (38 mm) Drop
B: Flat

PROJECT:

ARCHITECT:

ROOFING CONTRACTOR:

REPRESENTATIVE/DISTRIBUTOR:

Corporate Offices
Dow Roofing Systems
Nine Sullivan Road
Holyoke, MA 01040
P: 800-621-ROOF



ROOFING SYSTEMS

DATE: 03/02/12

DRN BY: JJC

CKD BY: SAK

SHT.# ___ OF ___

DWG# 12010-2984

E