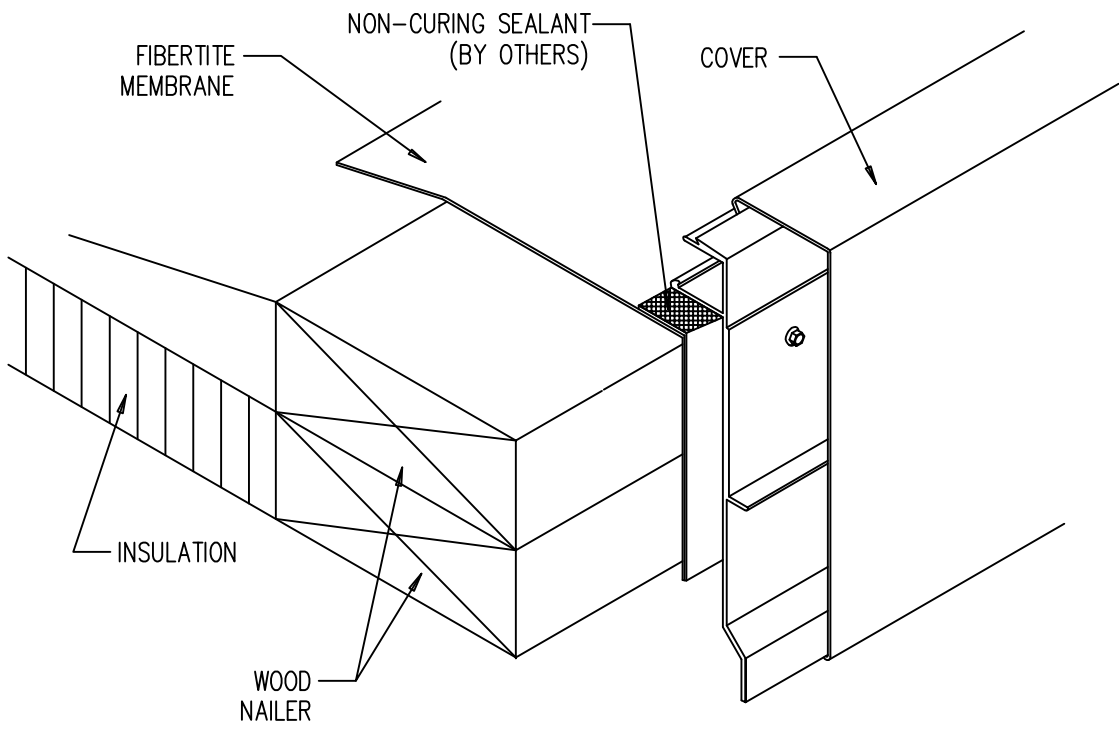


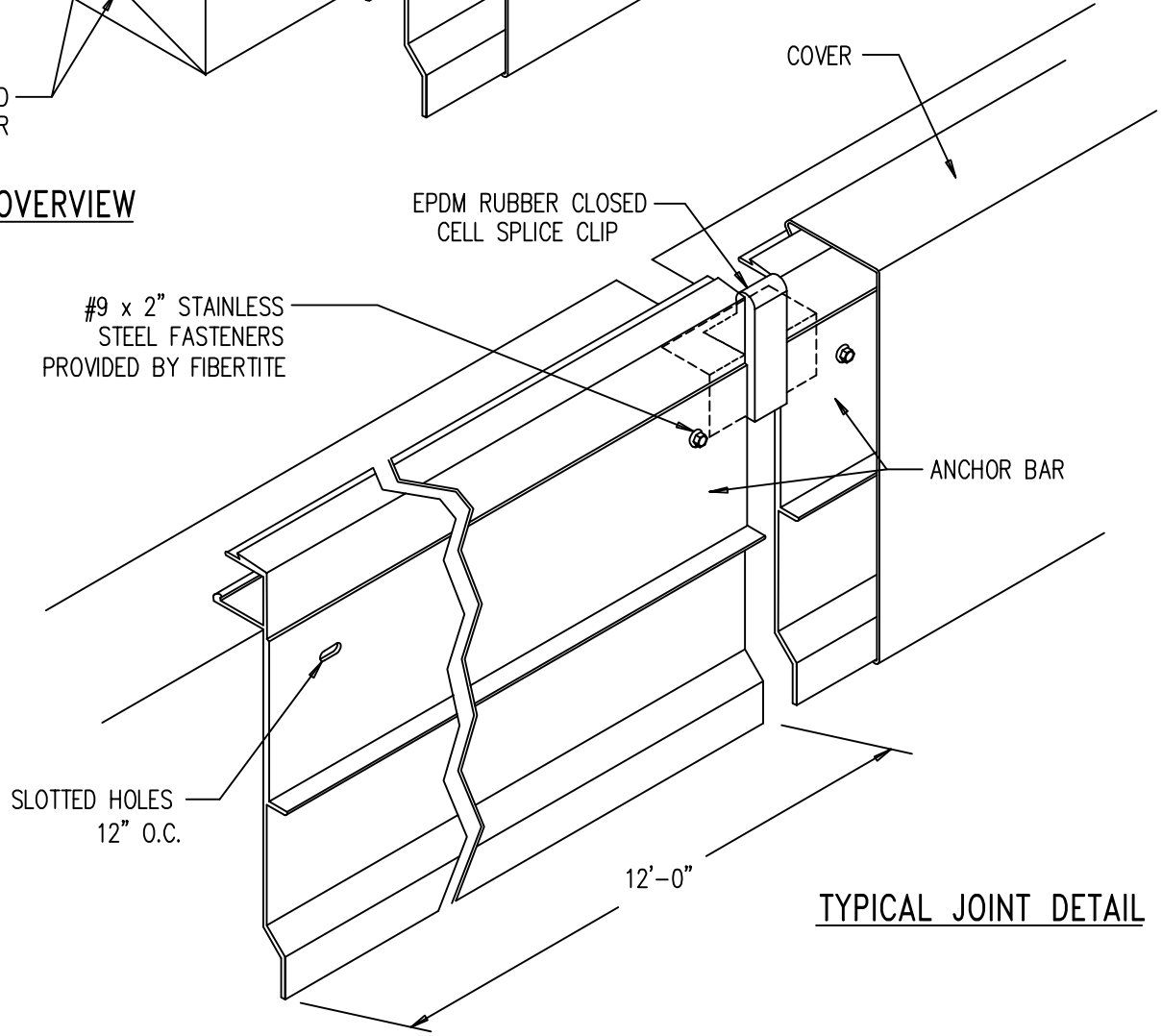
FIBERTITE AT HG FASCIA

FOR .050" & .063" ALUMINUM COVERS

FOR USE WITH FULLY ADHERED OR MECHANICALLY ATTACHED SINGLE-PLY ROOF SYSTEMS



TYPICAL OVERVIEW



TYPICAL JOINT DETAIL



Phone: 800-927-8578
ext. 1235
fax: 330-263-6950

DATE: 04/13/07
DRN BY: JJC
CKD BY: SAK

SHT.# ___ OF ___
DWG# 23510-5584

A