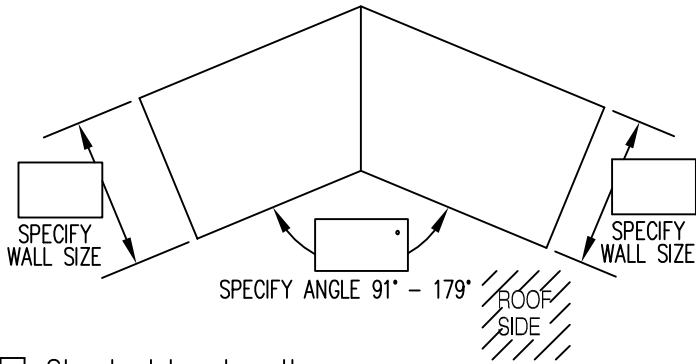


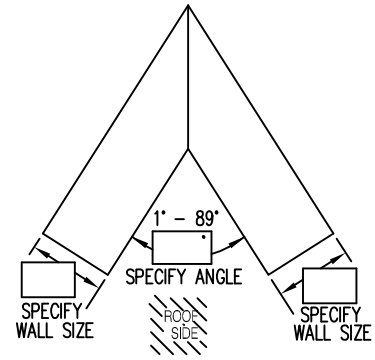
NON-90° COPING MITERS

OUTSIDE MITER - OBTUSE



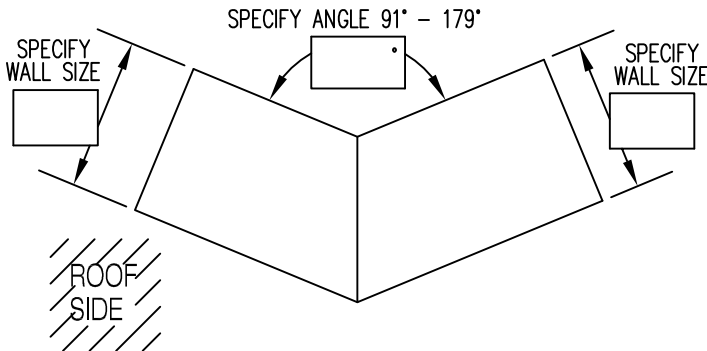
Standard Leg Lengths
 Custom Leg Lengths _____ Qty _____

OUTSIDE MITER - ACUTE



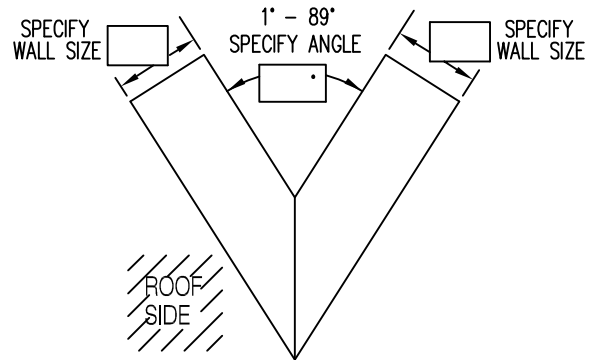
Standard Leg Lengths
 Custom Leg Lengths _____ Qty _____

INSIDE MITER - OBTUSE



Standard Leg Lengths
 Custom Leg Lengths _____ Qty _____

INSIDE MITER - ACUTE



Standard Leg Lengths
 Custom Leg Lengths _____ Qty _____

Fabrication will proceed only after receipt of signed print approval.

Print Approval:

Architect and/or contractor shall verify all dimensions, sizes, and quantities. All products to be installed in strict accordance with Sika Sarnafil printed instructions.

Approved by: _____

Date: _____

METALS:

____ 24 Ga. (.65 mm) Galv.
 ____ .040" (1.01 mm) Alum. Color: _____
 ____ .050" (1.27 mm) Alum. Finish: _____
 ____ .063" (1.60 mm) Alum.
 ____ OTHER _____

Please Indicate Coping System

- COPING
 TAPERED
 FLAT

PROJECT

ARCHITECT

ROOFING CONTRACTOR

REPRESENTATIVE/DISTRIBUTOR

Sika Sarnafil Inc.
 100 Dan Road
 Canton, MA 02021
 (800) 451-2504
 Fax: (781) 828-5365



DATE: 06/01/02

DRN BY: COB

CKD BY: SAK

SHT.# ____ OF ____

DWG# 14511-2858

B