

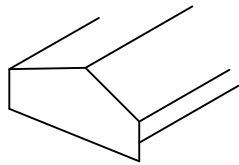
REFERENCE DETAIL:

HI-PERF RIDGE VENT

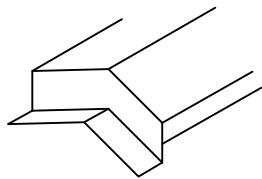
SLOPE TO SLOPE, SHINGLED VERSION
FOR HIGH SNOW LOAD CONDITIONS

U.S. PATENT # 8,075,376 B1

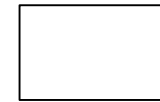
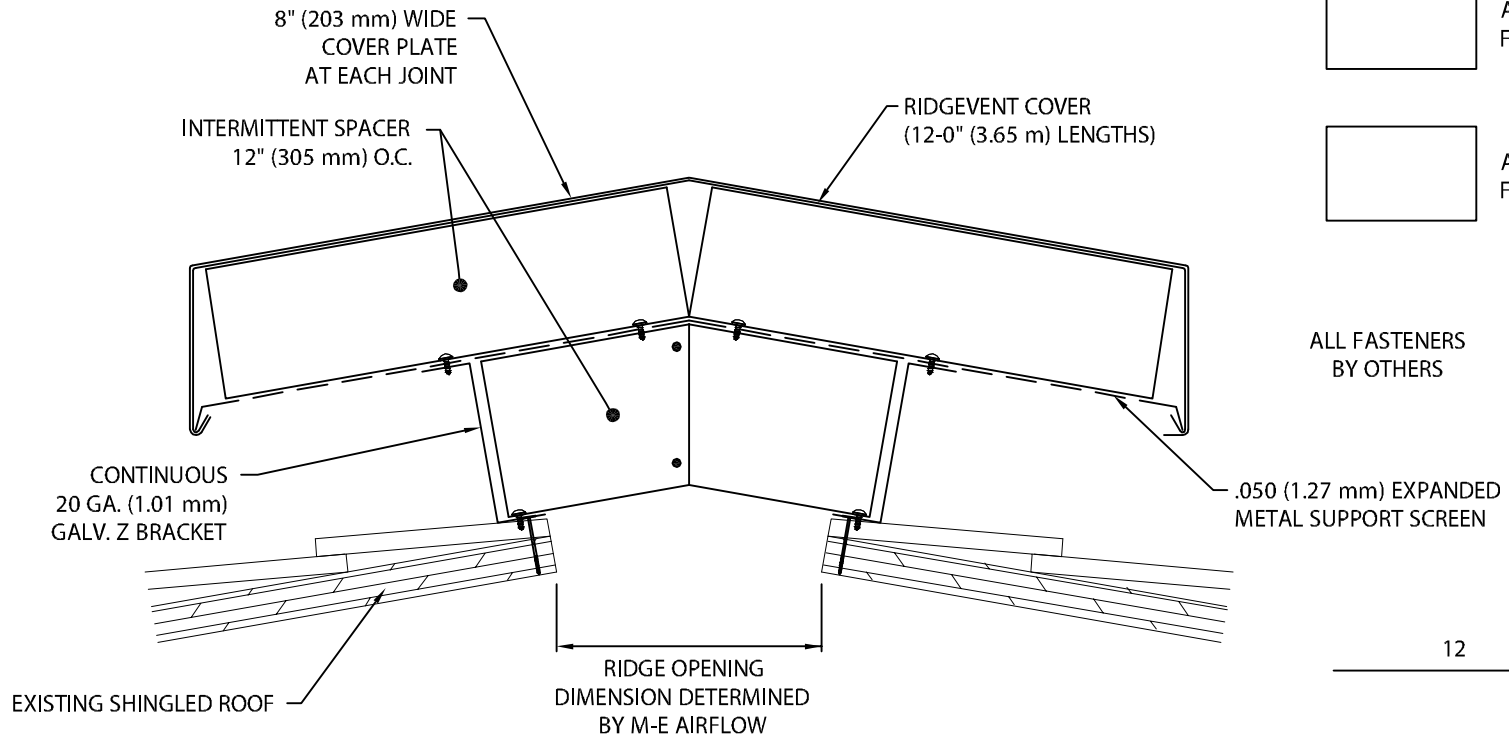
ENDCAPS



STYLE A



STYLE B



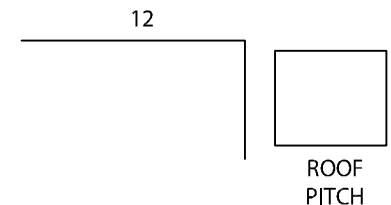
ACTUAL LINEAL FOOTAGE OF RIDGE



ACTUAL LINEAL FOOTAGE OF EAVE

ALL FASTENERS BY OTHERS

.050 (1.27 mm) EXPANDED METAL SUPPORT SCREEN



ROOF PITCH

FASCIA IS TO BE INSTALLED PER SPECIFICATIONS AND METAL-ERA'S INSTALLATION INSTRUCTIONS DWG. # 31124-14359

Fabrication will proceed only after receipt of signed print approval.

Print Approval:

Architect and/or contractor shall verify all dimensions, sizes and quantities. All products to be installed in strict accordance with Metal-Era's printed instructions.

Approved by: _____

Date: _____

VENTILATION TYPE:

Vented Nailbase _____ Air Space

Attic _____ Attic Floor Square Footage

_____ Ridge Beam Width If Applicable

COVER:

.050" (1.27 mm) Aluminum .063" (1.60 mm) Aluminum

Other _____

Color: _____ Finish: _____

PROJECT: _____

ARCHITECT: _____

CONTRACTOR: _____

REPRESENTATIVE: _____

QUANTITIES:

_____ Lineal Feet (12'-0" (3.65 m) Lengths)

_____ End Cap (12" (305 mm) Lengths)

_____ Style A _____ Style B



Phone: 800-558-2162
Fax: 800-770-3934
www.metalera.com

DATE: 08/13/13

SHT.# ____ OF ____

DRN BY: JJC

CKD BY: SAK

DWG# 31024-14059

E