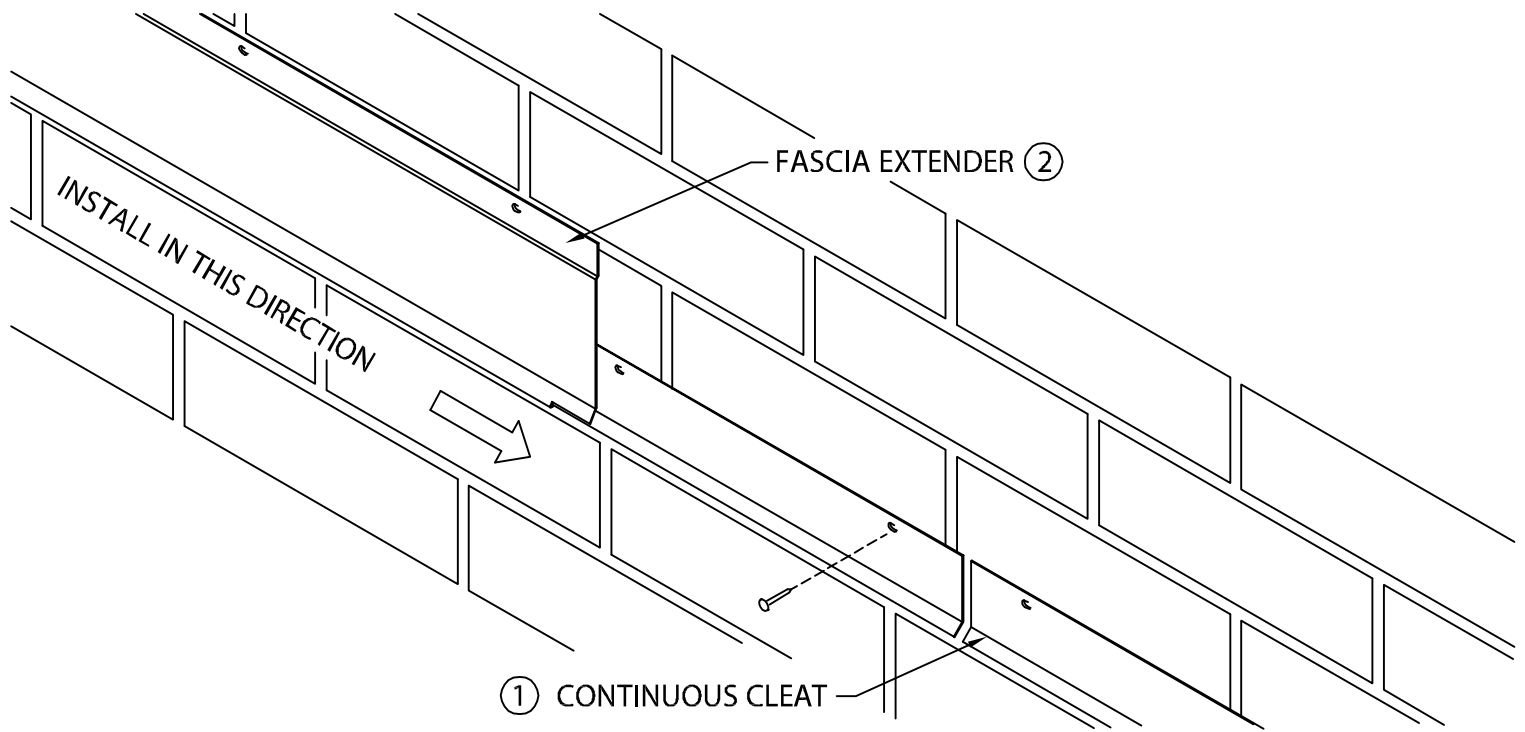


FASCIA EXTENDER

LAP JOINT VERSION

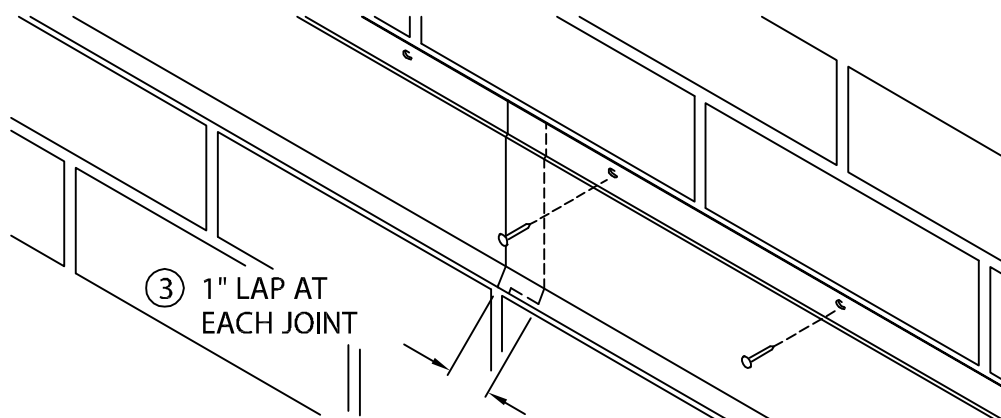
INSTALLATION INSTRUCTIONS

NOTE : INSTALL MITERS FIRST.



STEP ①- CAREFULLY POSITION AND FASTEN CONTINUOUS CLEAT 12" O.C. AS SHOWN WITH APPROPRIATE FASTENERS. CLEAT SHALL BE INSTALLED TRUE AND LEVEL.

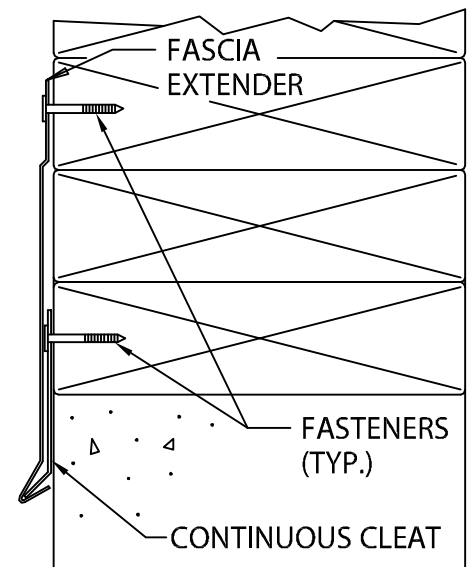
STEP ②- HOOK DRIP EDGE OF EACH FASCIA EXTENDER ONTO CONTINUOUS CLEAT AND FASTEN WITH APPROPRIATE FASTENERS AT 12" O.C.



STEP ③- CONTINUE BY INSTALLING FASCIA EXTENDER PANELS RIGHT TO LEFT (AS SEEN FROM ROOFTOP). LAP ENDS OF PANELS 1" AT NOTCH PROVIDED. FIELD CUT AS NECESSARY.

CAUTION : REMOVE PROTECTIVE FILM IMMEDIATELY AFTER INSTALLATION. INSTALLERS SHALL WEAR PROTECTIVE EYEWEAR TO PREVENT INJURY.

TYPICAL INSTALLATION
(Substrate may vary per job conditions.)



CARLISLE
SYNTEC SYSTEMS

Customer Service
866-458-3537
(Metal-Era)

DATE: 07/25/16
DRN BY: JJC
CKD BY: SAK

SHT.# ___ OF ___
DWG# 15114-1665

B