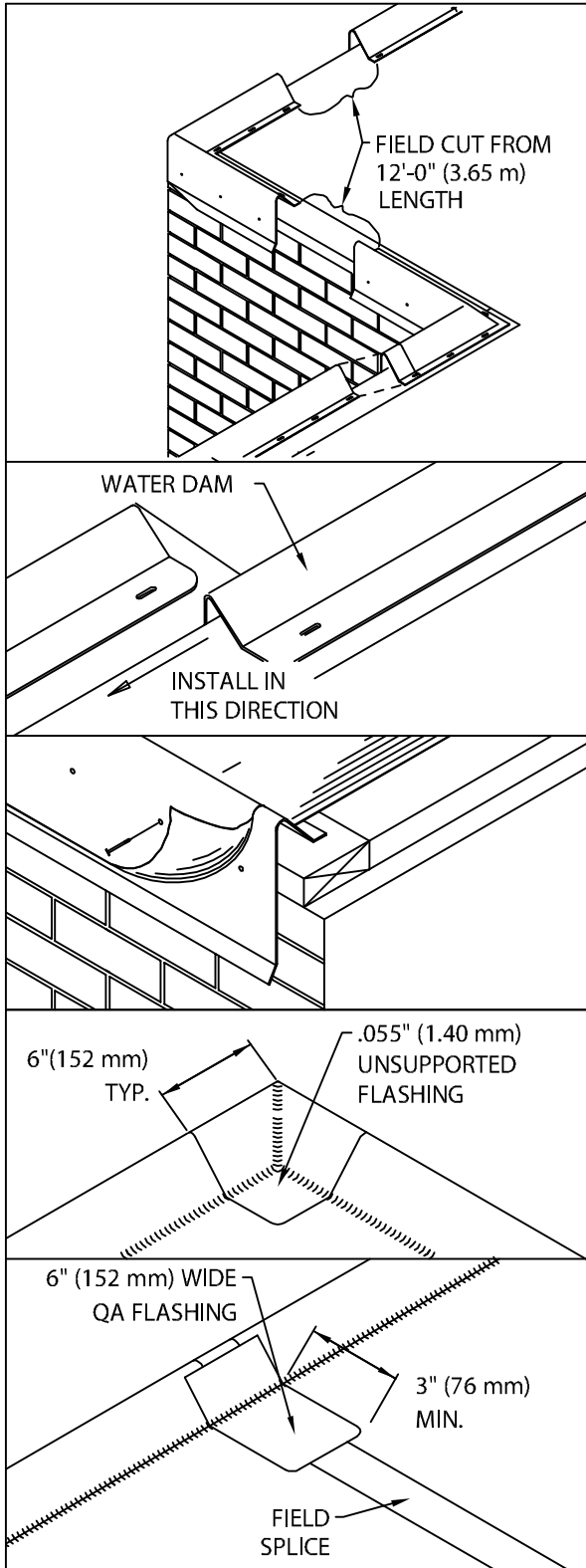


# DOW SYSTEM 200 FASCIA

CRIMP-ON VERSION

## INSTALLATION INSTRUCTIONS

GENERAL: THESE INSTRUCTIONS ARE THE BASIC ORDER IN WHICH THE DOW SYSTEM 200 IS INSTALLED WITH DOW MEMBRANE SYSTEMS. WITH SOME DOW SYSTEMS, THIS ORDER MUST BE CHANGED TO REFLECT DIFFERENT FLASHING REQUIREMENTS. REFER TO THE DOW DETAIL MANUAL FOR ADDITIONAL SPECIFICATIONS.



1. LOCATE AND INSTALL MITERS, NAILING THROUGH PRE-SLOTTED FASTENING HOLES ON TOP FLANGE ONLY. DETERMINE AND IDENTIFY LOCATION OF SCUPPERS. DO NOT INSTALL SCUPPERS AT THIS TIME. LEAVE GAP OF 14 1/2" (368 mm) INCHES FOR SCUPPER LOCATIONS. THEN INSTALL THE 12'-0" (3.65 m) SECTIONS OF WATER DAM FROM RIGHT TO LEFT (AS SEEN FROM ROOF TOP) BY NAILING THROUGH SLOTTED HOLES PROVIDED PER JOB REQUIREMENTS. FIELD CUT SECTIONS AS NECESSARY. LAP WATER DAM JOINTS 1" (25 mm).

NOTE: DO NOT ATTACH FACE OF WATERDAM AT THIS TIME.

CAUTION: INSTALLERS SHALL WEAR PROTECTIVE EYEWEAR TO PREVENT SERIOUS INJURY.

2. POSITION DOW EP-B ROOF MEMBRANE OVER AND DOWN WATERDAM FACE APPROXIMATELY 1" (25 mm) BELOW EXTRUDED FASTENING HOLES TAKING CARE TO AVOID BRIDGING OF MEMBRANE. ATTACH MEMBRANE 12" (305 mm) O.C. THROUGH EXTRUDED HOLES ON OUTSIDE FACE USING 1 1/4" (32 mm) RING SHANK NAILS PROVIDED.
3. INSTALL .055" (1.40 mm) UNSUPPORTED FLASHING AT ALL INSIDE AND OUTSIDE CORNERS.
4. INSTALL A 6" (152 mm) WIDE FLASHING STRIP OF DOW MEMBRANE OVER ALL FIELD SEAMS AS SHOWN. STRIP IS TO BE WELDED UP AND OVER THE WATERDAM. REFER TO DOWS' CURRENT SPECIFICATIONS FOR SPLICING PROCEDURES.



ROOFING SYSTEMS

P: 800-621-ROOF

DATE: 03/02/12

DRN BY: JJC

CKD BY: SAK

SHT.# 1 OF 2

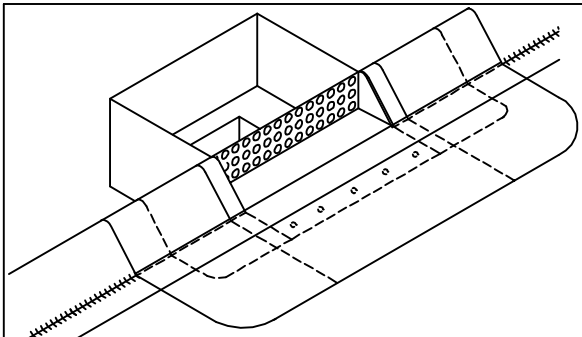
DWG# 12110-2985

G

# DOW SYSTEM 200 FASCIA

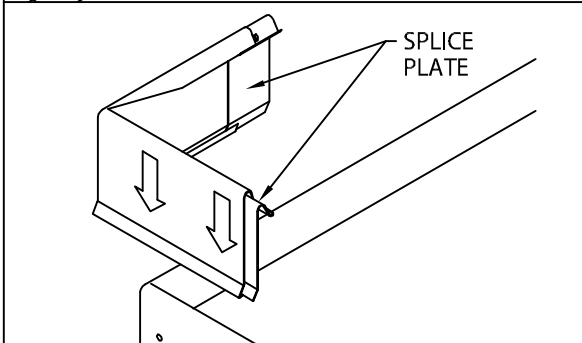
CRIMP-ON VERSION

## INSTALLATION INSTRUCTIONS

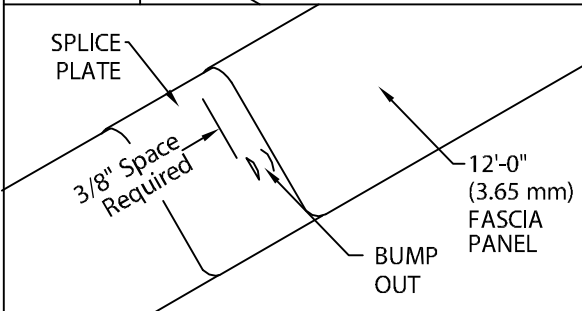


- INSTALL SPILLOUT OR DOWNSPOUT SCUPPERS (IF APPLICABLE) AT PRE-DETERMINED LOCATIONS USING PROVIDED NAILS.

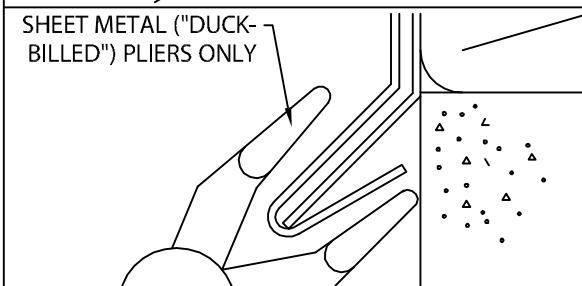
NOTE: ROOF MEMBRANE IS INSTALLED UNDER SCUPPER. SCUPPER FLANGE IS SET IN A CONTINUOUS BEAD OF ALL PURPOSE SEALANT. INSTALL .055" (1.40 mm) UNSUPPORTED FLASHING AT INSIDE AND OUTSIDE CORNERS.



- INSTALL INSIDE AND OUTSIDE FASCIA MITERS WITH SPLICE PLATES AS SHOWN. CRIMP ENTIRE DRIP EDGE OF EACH FASCIA MITER, USING 3" (76 mm) WIDE SHEET METAL CRIMPERS. REMOVE CLEAR PROTECTIVE FILM IMMEDIATELY AFTER CRIMPING.



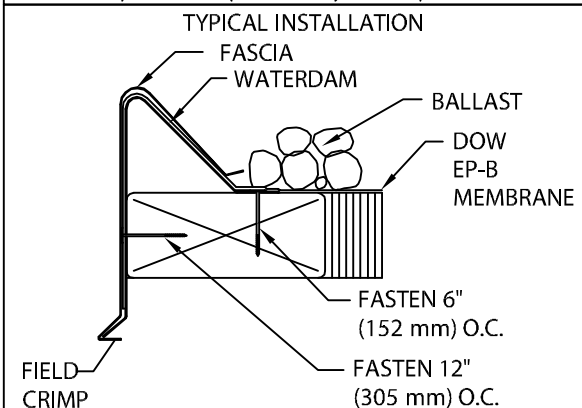
- INSTALL SPLICE PLATES AND FASCIA PANELS. ASSURE THAT 3/8" (10 mm) SPACE IS LEFT BETWEEN THE ENDS OF FASCIA PANELS. FIELD CUT SECTIONS AS NECESSARY.



### 8. IMPORTANT!

FIELD CRIMP THE DRIP EDGE AT ALL JOINTS AND AT 18" (457 mm) O.C. USING A PAIR OF 3" (76 mm) WIDE SHEET METAL PLIERS (AS SHOWN ON LEFT).

CAUTION: REMOVE PROTECTIVE FILM IMMEDIATELY AFTER INSTALLATION.



- COMPLETE INSTALLATION BY PLACING BALLAST FOLLOWING DOW SPECIFICATIONS.

CAUTION: INSTALLERS SHALL WEAR PROTECTIVE EYEWEAR TO PREVENT INJURY.



ROOFING SYSTEMS

P: 800-621-ROOF

DATE: 03/02/12

DRN BY: JJC

CKD BY: SAK

SHT.# 2 OF 2

DWG# 12110-2985

G