



# FIBERTITE 200 RADIUS FASCIA

SNAP-ON VERSION

**IMPORTANT!** MUST INDICATE PROPER RADIUS CONDITION BY CIRCLING APPROPRIATE OUTSIDE FACE

PROVIDING A RADIUS  
THE RADIUS MAY BE PROVIDED  
IN ONE OF TWO METHODS:

1.) THE ACTUAL KNOWN RADIUS IS

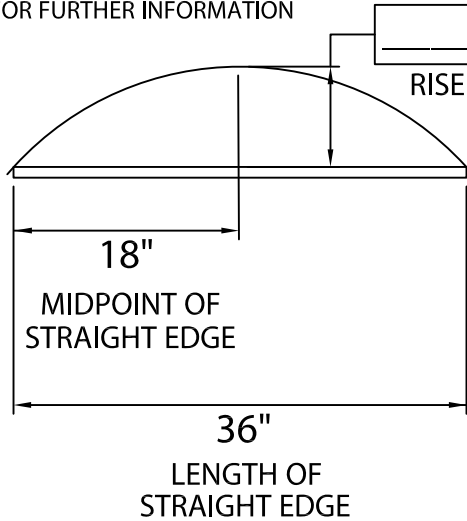
\_\_\_\_\_ ' FEET \_\_\_\_\_ " INCHES

MINIMUM OF 13'-0"  
(CALL IF LESS)

OR

2.) FIELD CONDITION MEASUREMENTS

NOTE: REFER TO ATTACHED WORKSHEET  
FOR FURTHER INFORMATION

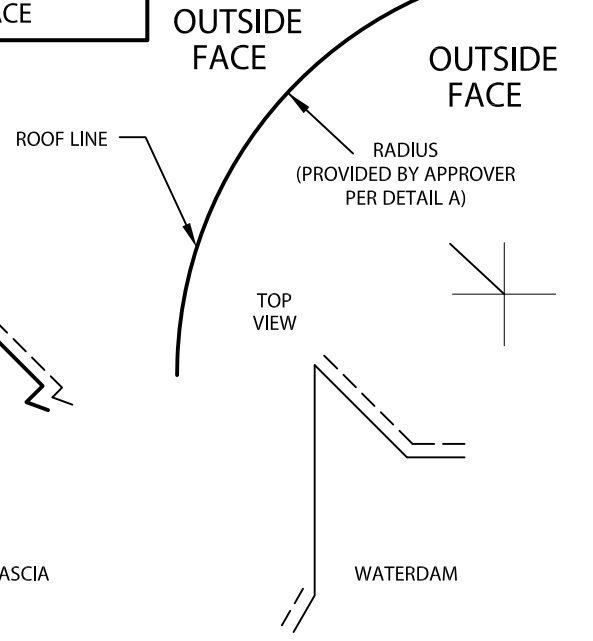


RISE

\_\_\_\_\_ " INCHES  
MAXIMUM OF 1 1/32"  
(CALL IF MORE)

NOTE: CHECK MEASUREMENTS ALONG ENTIRE RADIUS.

DETAIL A



--- INDICATES AREAS THAT WILL BE SLIT AS  
NEEDED TO ACCOMMODATE RADIUS

### FIBERTITE 200 RADIUS FASCIA DIMENSIONS

PRODUCT ID. NO.	H DIM	X DIM	NAILER COVERAGE
<input type="checkbox"/> FA-50	5 1/4"	2 7/8"	1 NAILER
<input type="checkbox"/> FA-65	6 3/4"	4 3/8"	2 NAILERS
<input type="checkbox"/> FA-80	8 1/4"	5 7/8"	3 NAILERS
<input type="checkbox"/> FA-95	9 3/4"	7 3/8"	4 NAILERS
<input type="checkbox"/> FA-110	11 1/4"	8 7/8"	5 NAILERS
<input type="checkbox"/> FA-125	12 3/4"	10 3/8"	6 NAILERS

Fabrication will proceed only after receipt of signed print approval.

## Print Approval:

Architect and/or contractor shall verify all dimensions, sizes and quantities. All products to be installed in strict accordance with FiberTite's printed instructions.

Approved by: \_\_\_\_\_

Date: \_\_\_\_\_

### MATERIAL:

\_\_\_\_\_ 24 GA. GALV. STEEL\*  
\*OIL CANING CAN OCCUR ON LARGER FACE HEIGHTS. RECOMMEND \_\_\_\_\_ .040" ALUMINUM\*  
\_\_\_\_\_ .050" ALUMINUM  
\_\_\_\_\_ .063" ALUMINUM  
\_\_\_\_\_ OTHER: \_\_\_\_\_

COLOR: \_\_\_\_\_

FINISH: \_\_\_\_\_

### QUANTITIES:

\_\_\_\_\_ LINEAL FEET 12'-0" LENGTHS

PROJECT:

ARCHITECT:

ROOFING CONTRACTOR:

REPRESENTATIVE/DISTRIBUTOR:

Customer Service

1-800-355-6416



DATE: 03/04/19

DRN BY: ZS

CKD BY: SAK

SHT.# \_\_\_\_\_ OF \_\_\_\_\_

DWG# 23010-11492

F