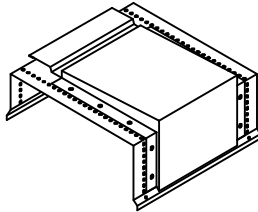
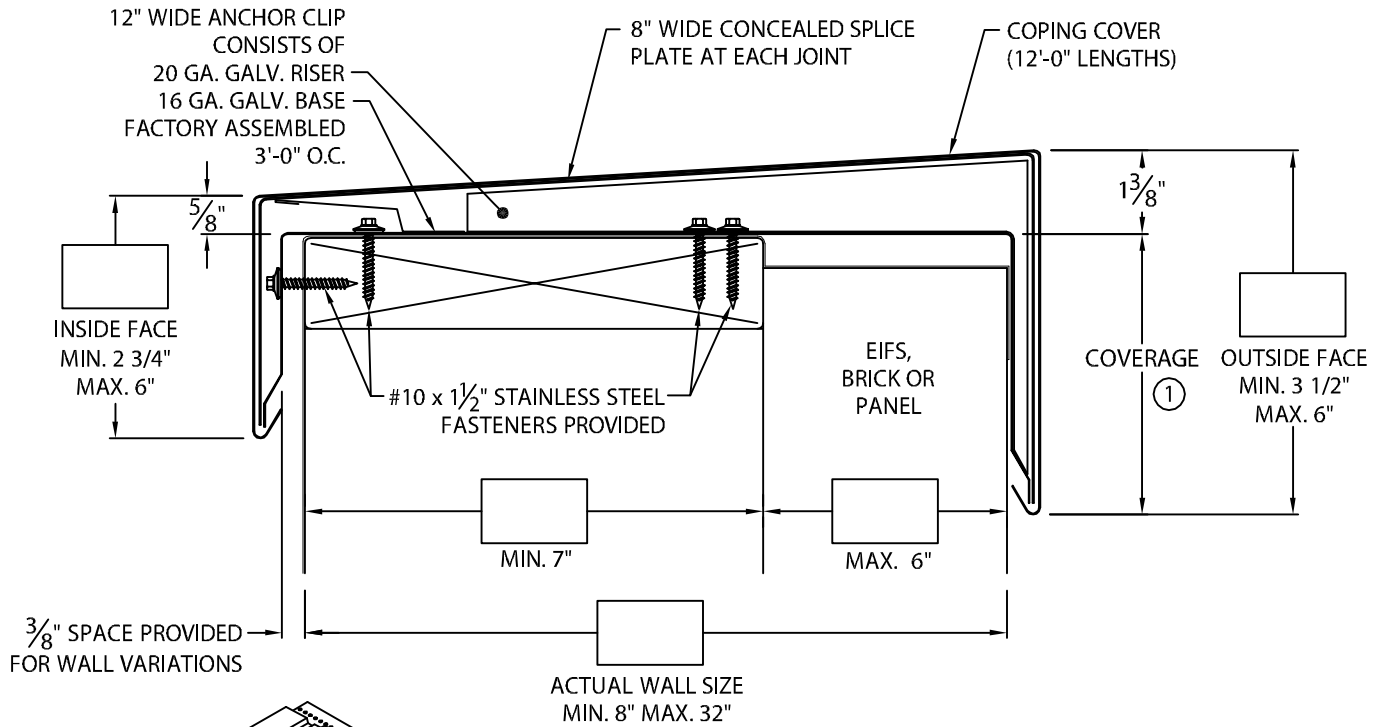




SECUREDGE 200 SINGLE CANTILEVER COPING

EIFS, BRICK OR PANEL SPACE 6" OR LESS, OUTSIDE FACE 3 1/2" TO 6" VERSION



ANCHOR CLIP DETAIL

MATERIAL:

- 24 GA. GALVANIZED STEEL ②
 - 22 GA. GALVANIZED STEEL
 - .040" ALUMINUM ②
 - .050" ALUMINUM
 - .063" ALUMINUM
 - OTHER _____
- COLOR: _____
- FINISH: _____

QUANTITIES:

_____ LINEAL FEET 12'-0" LENGTHS

ACCESSORIES:

- OUTSIDE MITERS @ 90° ④
- INSIDE MITERS @ 90° ④
- RIGHT ENDCAPS
- LEFT ENDCAPS

SPECIFY ACCESSORY TYPE:

- WELDED ③
- QUICKLOCK

ENDWALL FLASHING (SPlice PLATE VERSION)

RIGHT HAND _____ LEFT HAND _____

ENDWALL FLASHING (COPING VERSION)

RIGHT HAND _____ LEFT HAND _____

NOTES:

- ① FACE = COVERAGE (SHOULD EXTEND A MIN. OF 1" BELOW WATER RESISTANT WALL SURFACE) + 2".
- ② 24 GA. GALV. AND .040" ALUM. COPING COVERS AVAILABLE FOR WALL SIZES 3 1/2" TO 24" ONLY.
- ③ WELDED ACCESSORIES REQUIRE A MINIMUM MATERIAL THICKNESS OF .050".
- ④ FOR NON 90° MITERS PLEASE USE PRINT APPROVAL #11011-1487.

AUTHORIZED SIGNATURE:

APPROVED BY: _____

DATE: _____

ANSI/SPRI ES-1 TESTED

U.S. PATENT # 8,978,317 B1

PROJECT:

ARCHITECT:

ROOFING CONTRACTOR:

REPRESENTATIVE/DISTRIBUTOR:

CUSTOMER SERVICE
866-458-3537
(METAL-ERA)

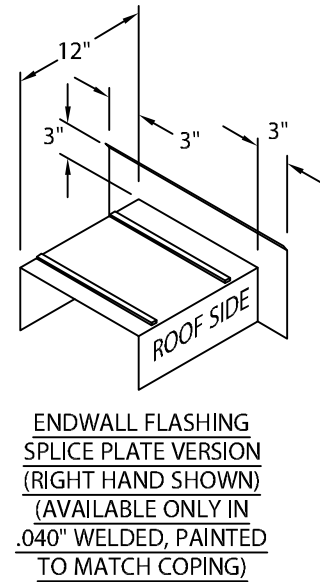
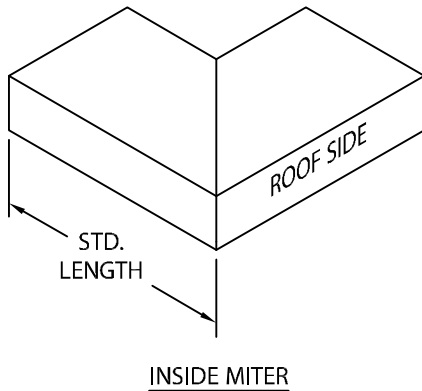
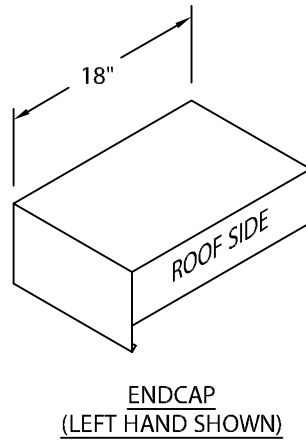
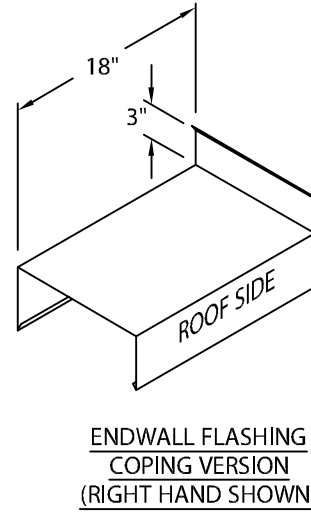
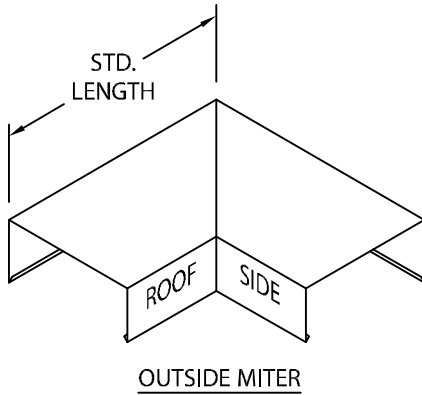
DATE: 03/31/15
DRN BY: JJC
CKD BY: SAK

SHT.# 1 OF 2

DWG# 15011-19555

C

SECUREDGE 200
SINGLE CANTILEVER COPING
STANDARD ACCESSORIES



MITER STANDARD LEG LENGTH:
WALL SIZE + 9⁵/₈" = LENGTH

ADDITIONAL ACCESSORIES ARE AVAILABLE ON WEBSITE:

- TRANSITION MITERS
- STRAIGHT TRANSITION MITERS
- "T" MITERS
- "Z" MITERS
- STEP-UP MITERS
- PEAK / VALLEY MITERS
- PILASTER CAPS
- RADIUS COPING
- ARCHED COPING

(FOR ADDITIONAL ACCESSORY REQUIREMENTS, ATTACH SKETCHES OR CALL MANUFACTURER FOR ASSISTANCE).

	CUSTOMER SERVICE	DATE: 03/31/15	SHT.# <u>2</u> OF <u>2</u>
	866-458-3537	DRN BY: JJC	DWG# 15011-19555
	(METAL-ERA)	CKD BY: SAK	