

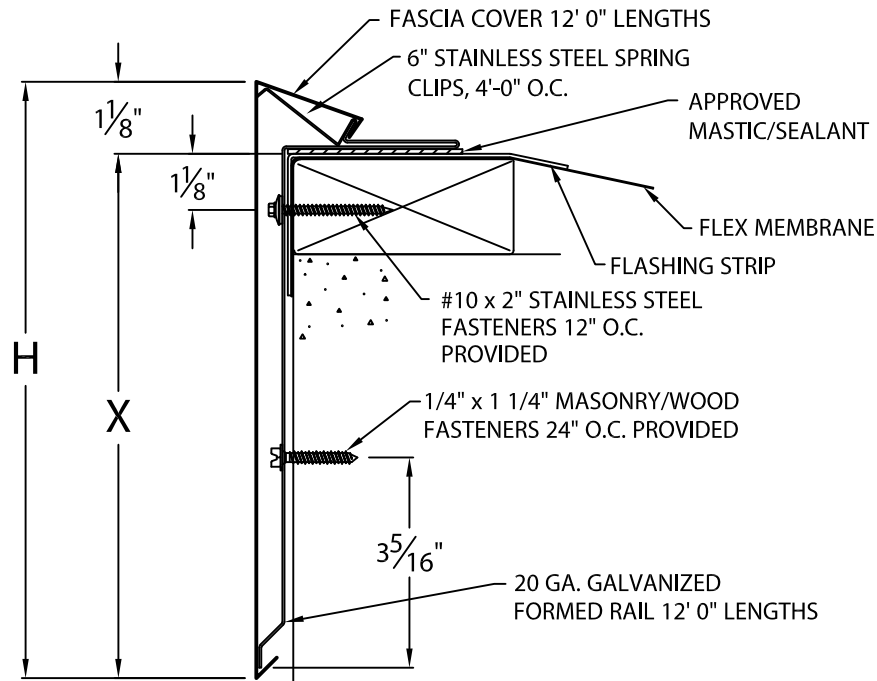


FLEXLOCK FLT EXTENDED ROOF EDGE

BUILT-UP OR MODIFIED VERSION

ANSI/SPRI ES-1 DESIGN PRESSURE OF 146 psf

.050" AND .063" MATERIAL



FASCIA COVER PROVIDED WITH 3 1/2" SPLICE PLATES

FASCIA DIMENSIONS

PRODUCT ID. NO.	H DIM	X DIM	NAILER COVERAGE
<input type="checkbox"/> ESE-95	9 1/2"	8 3/8"	5 NAILERS
<input type="checkbox"/> ESE-110	11"	9 7/8"	6 NAILERS
<input type="checkbox"/> ESE-125	12 1/2"	11 3/8"	7 NAILERS

MATERIAL:

___ .050" ALUMINUM
 ___ .063" ALUMINUM
 ___ OTHER _____

COLOR: _____

FINISH: _____

Fabrication will proceed only after receipt of signed print approval.

Print Approval:

Architect and/or contractor shall verify all dimensions, sizes and quantities. All products to be installed in strict accordance with Flex's printed instructions.

Approved by: _____

Date: _____

QUANTITIES:

_____ LINEAL FEET 12'-0" LENGTHS
 _____ OUTSIDE MITERS (COVER ONLY) @ 90°
 _____ INSIDE MITERS (COVER ONLY) @ 90°
 _____ OVERFLOW SCUPPER STYLE ___A___B
 _____ SPILLOUT SCUPPER STYLE ___A___B
 _____ DOWNSPOUT SCUPPER STYLE ___A___B
 (____x____) SIZE A: TAPERED 1 1/2" DROP
 B: FLAT

FOR NON-90 MITERS SEE PRINT APPROVAL #28010-3436

PROJECT:

ARCHITECT:

ROOFING CONTRACTOR:

REPRESENTATIVE/DISTRIBUTOR:

Customer Service:

Phone: 800-969-0108

Fax: 610-916-9501



DATE: 10/16/18

DRN BY: JJC

CKD BY: SAK

SHT.# ___ OF ___

DWG# 28010-11810

F