

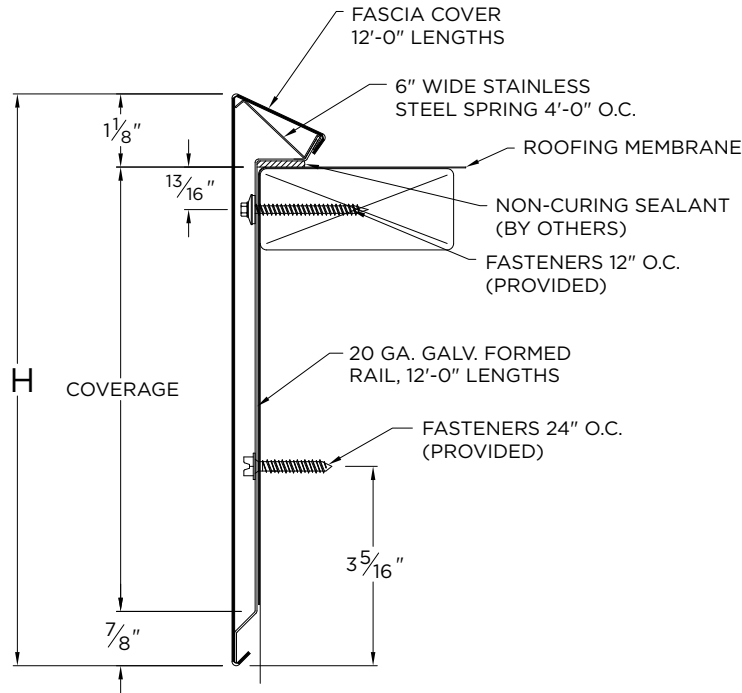


# SECUREEDGE ONE EXTENDED FASCIA

FULLY ADHERED OR MECHANICALLY ATTACHED SINGLE-PLY VERSION

## NOTES

- Fascia cover provided with splice plates
- Rail miters are not provided (cover only)
- For non-90 miters, see separate print approval
- Product should be installed per provided installation instructions
- ANSI/SPRI/FM 4435/ES-1 Test Pressure up to 146 psf



## APPROVALS



**ANSI/SPRI/FM 4435/ES-1**  
Test Pressures listed in notes

## PROJECT INFO

Project Name: \_\_\_\_\_

Architect: \_\_\_\_\_

Roofing Contractor: \_\_\_\_\_

### Project Type:

By selecting this box you have verified and confirmed that dimensions, sizes, and quantities are correct. All products will be installed in strict accordance with printed instructions.

Date: \_\_\_\_\_

**Carlisle SynTec Systems**  
Customer Service  
866-458-3537  
(Metal-Era)

SHT# 1 of 1

DATE: 11/29/21

DRN BY: JJC

CKD BY: MM

DWG #: 15010-11431

REV: F

## DIMENSIONS

PRODUCT ID. NO.	H DIM	X DIM	NAILER COVERAGE
<input type="checkbox"/> ESE-S95	9 1/2"	7 1/2"	5 NAILERS
<input type="checkbox"/> ESE-S110	11"	9"	6 NAILERS
<input type="checkbox"/> ESE-S125	12 1/2"	10 1/2"	7 NAILERS

## MATERIAL

- 22 Ga. Galv. Steel  
 .050" Aluminum  
 .063" Aluminum

Color: \_\_\_\_\_

Finish: \_\_\_\_\_

**Substrate:**  Wood  
 Masonry  
 Metal  
If substrate is not given, wood fasteners will be provided.

OTHER: \_\_\_\_\_

## QUANTITIES

\_\_\_\_\_ Lineal Feet (12'-0" Lengths)

\_\_\_\_\_ Outside Miter (90°) (Cover Only)

\_\_\_\_\_ Inside Miter (90°) (Cover Only)