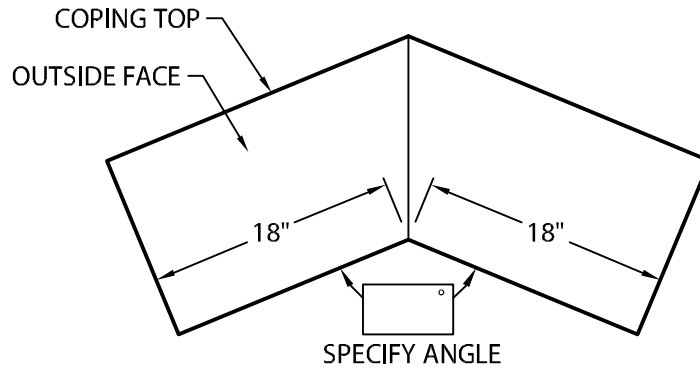


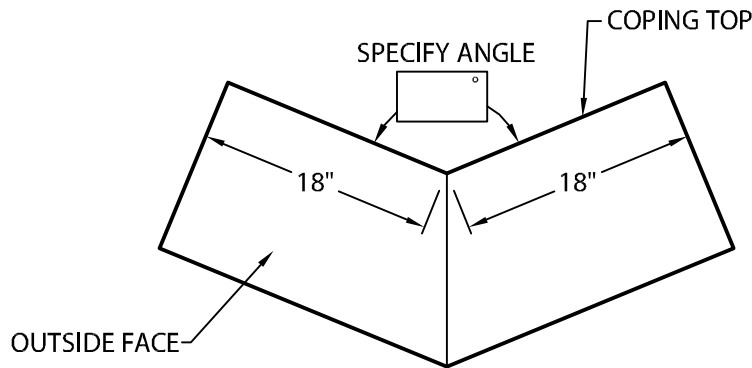
# PEAK AND VALLEY COPING MITERS

PEAK MITER  
FRONT VIEW SHOWN



WALL SIZE: \_\_\_\_\_  
FOR CUSTOM LEG LENGTHS  
MODIFY DRAWING ABOVE

VALLEY MITER  
FRONT VIEW SHOWN



WALL SIZE: \_\_\_\_\_  
FOR CUSTOM LEG LENGTHS  
MODIFY DRAWING ABOVE

**NOTES:**

- ① WELDED ACCESSORIES REQUIRE A MINIMUM MATERIAL THICKNESS OF .050".

**MATERIAL:**

- \_\_\_ 24 GA. GALVANIZED STEEL
  - \_\_\_ 22 GA. GALVANIZED STEEL
  - \_\_\_ .040" ALUMINUM
  - \_\_\_ .050" ALUMINUM
  - \_\_\_ .063" ALUMINUM
  - \_\_\_ OTHER \_\_\_\_\_
- COLOR: \_\_\_\_\_
- FINISH: \_\_\_\_\_

**QUANTITIES:**

- \_\_\_ PEAK MITERS
- \_\_\_ VALLEY MITERS

SPECIFY ACCESSORY TYPE:  
 WELDED ①  
 QUICKLOCK

AUTHORIZED SIGNATURE: \_\_\_\_\_

APPROVED BY: \_\_\_\_\_

DATE: \_\_\_\_\_

PROJECT: \_\_\_\_\_

ARCHITECT: \_\_\_\_\_

ROOFING CONTRACTOR: \_\_\_\_\_

REPRESENTATIVE/DISTRIBUTOR: \_\_\_\_\_

CORPORATE OFFICES, MANUFACTURING  
1600 AIRPORT ROAD; WAUKESHA, WI 53188  
PHONE: 800-558-2162  
FAX: 800-373-9156  
WEBSITE: WWW.METALERA.COM  
EMAIL: QUOTE@METALERA.COM



DATE: 02/04/14

DRN BY: JJC

CKD BY: SAK

SHT.# \_\_\_\_\_ OF \_\_\_\_\_

DWG# 11011-1493

**G**