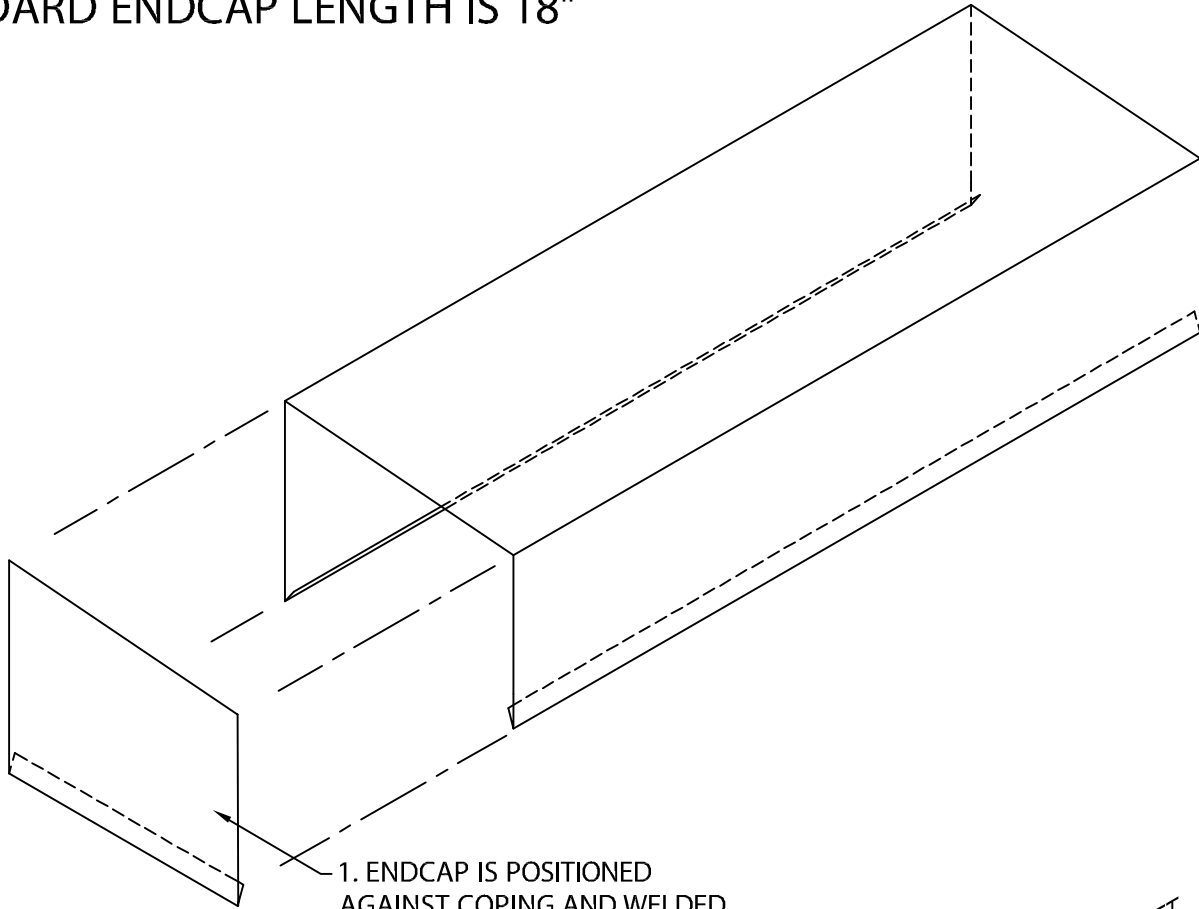


PERMA-TITE GOLD COPING ENDCAPS

WELDED POST-FINISHED ENDCAP ASSEMBLY

STANDARD ENDCAP LENGTH IS 18"



2. PIECE IS POST-COATED AFTER FABRICATION AND WELDING

OUTSIDE FACE

LEFT ENDCAP

INSIDE FACE

WELDED ENDCAPS ARE FABRICATED WITH FULLY WELDED OUTSIDE CORNERS



Phone: 800-558-2162
Fax: 800-373-9156
www.metalera.com

DATE: 03/06/13
DRN BY: JJC
CKD BY: SAK

SHT.# ___ OF ___

DWG# 11511-17401

A