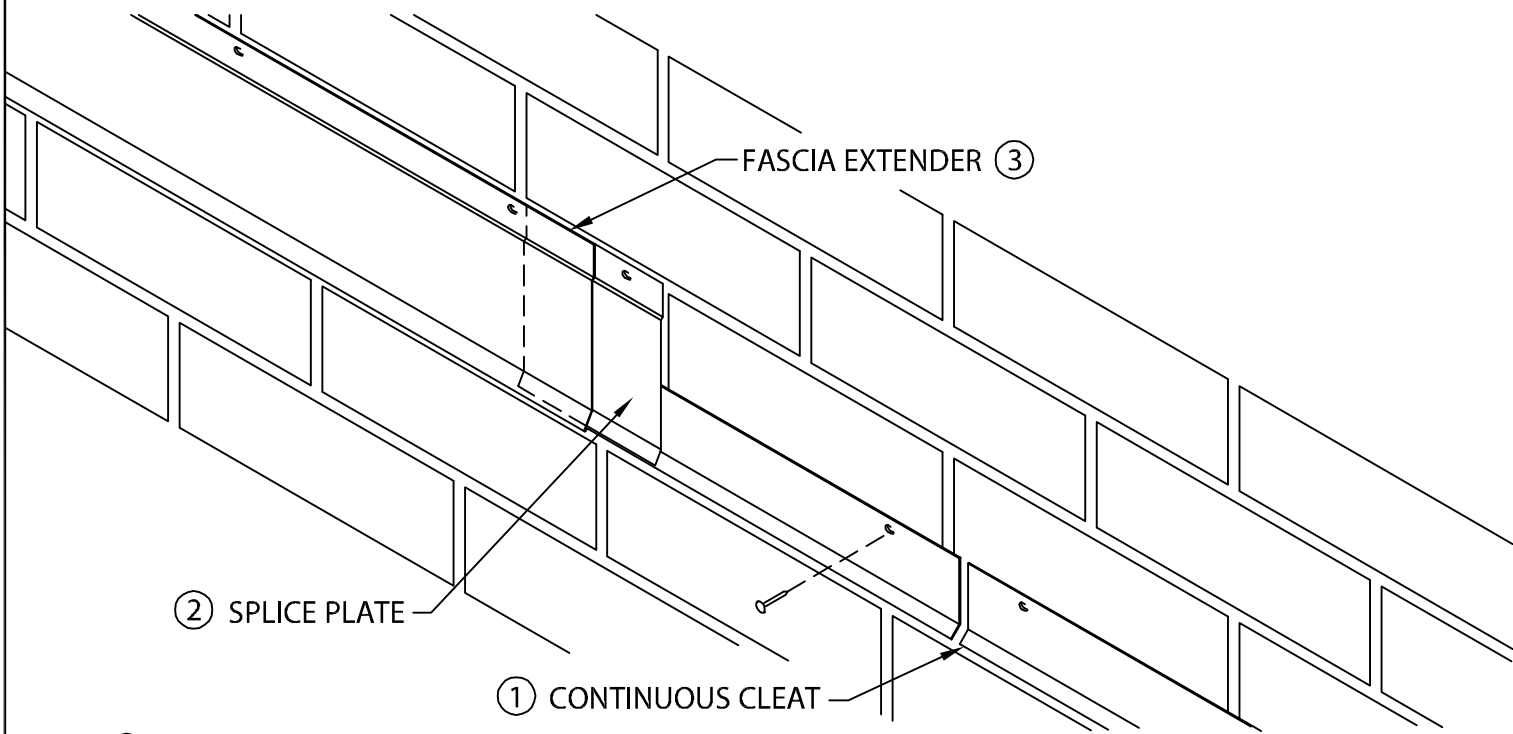


FASCIA EXTENDER

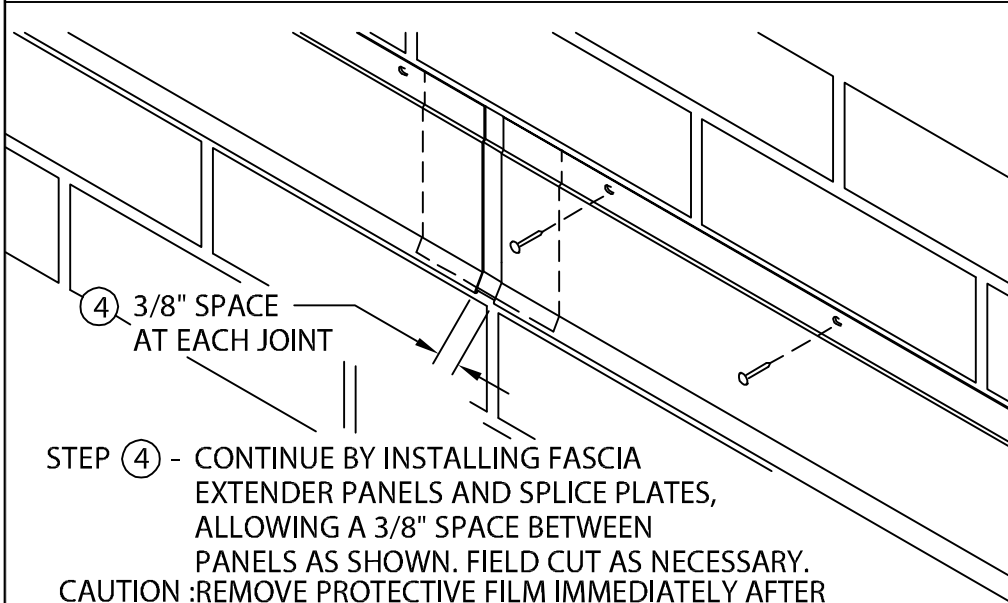
SPLICE PLATE VERSION

INSTALLATION INSTRUCTIONS

NOTE : INSTALL MITERS FIRST.

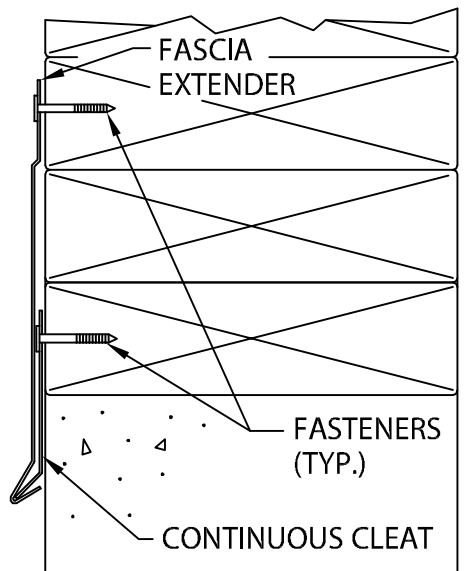


- STEP ① - CAREFULLY POSITION AND FASTEN CONTINUOUS CLEAT 12" O.C. AS SHOWN WITH APPROPRIATE FASTENERS. CLEAT SHALL BE INSTALLED TRUE AND LEVEL.
- STEP ② - LOCATE AND FASTEN 3 1/2" WIDE SPLICE PLATES AT EACH JOINT.
- STEP ③ - HOOK DRIP EDGE OF EACH FASCIA EXTENDER ONTO CONTINUOUS CLEAT, AND FASTEN WITH APPROPRIATE FASTENERS AT 12" O.C.



- STEP ④ - CONTINUE BY INSTALLING FASCIA EXTENDER PANELS AND SPLICE PLATES, ALLOWING A 3/8" SPACE BETWEEN PANELS AS SHOWN. FIELD CUT AS NECESSARY.
- CAUTION : REMOVE PROTECTIVE FILM IMMEDIATELY AFTER INSTALLATION. INSTALLERS SHALL WEAR PROTECTIVE EYEWEAR TO PREVENT INJURY.

TYPICAL INSTALLATION
(Substrate may vary per job conditions.)



Customer Service
866-458-3537
(Metal-Era)

DATE: 07/22/16
DRN BY: JJC
CKD BY: SAK

SHT.# ___ OF ___
DWG# 15114-1664

B