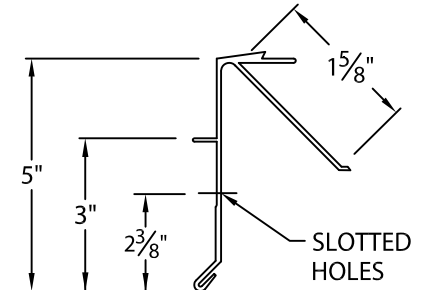
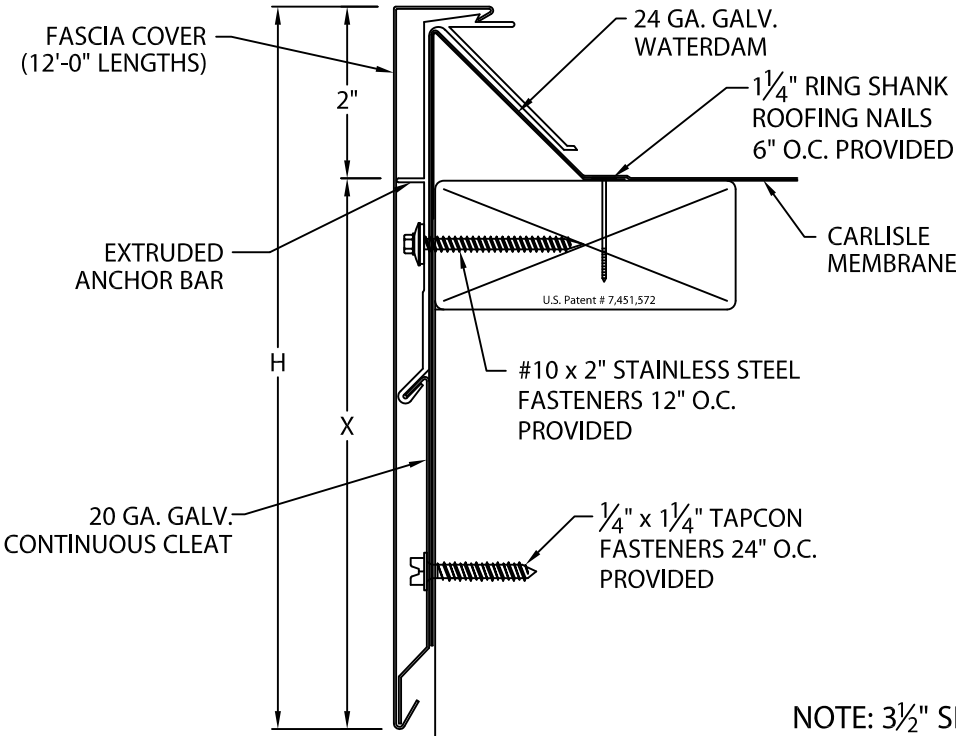
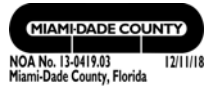




SECUREDGE 2000 EXTENDED CANTED FASCIA

GALVANIZED WATERDAM VERSION

ANSI/SPRI ES-1 DESIGN PRESSURE OF 139 psf



EXTRUDED PROFILE

NOTE: 3 1/2" SPLICE PLATES PROVIDED AT ALL JOINTS

SECUREDGE 2000 EXTENDED CANTED FASCIA DIMENSIONS

PRODUCT ID. NO.	H DIM	X DIM
<input type="checkbox"/> AEFC-902	9"	7"
<input type="checkbox"/> AEFC-1052	10 1/2"	8 1/2"
<input type="checkbox"/> AEFC-1202	12"	10"
<input type="checkbox"/> AEFC-1352	13 1/2"	11 1/2"

MATERIAL:

22 GA. GALV. STEEL .063" ALUMINUM
 .050" ALUMINUM OTHER _____
 COLOR: _____ FINISH: _____

Fabrication will proceed only after receipt of signed print approval.

Print Approval:

Architect and/or contractor shall verify all dimensions, sizes and quantities. All products to be installed in strict accordance with Carlisle SynTec, Inc.'s printed instructions.

Approved by: _____

Date: _____

QUANTITIES:

_____ LINEAL FEET 12'-0" LENGTHS
 _____ OUTSIDE MITER(S) @ 90°
 _____ INSIDE MITER(S) @ 90°
 _____ OVERFLOW SCUPPER(S) STYLE ___A___B
 _____ SPILLOUT SCUPPER(S) STYLE ___A___B
 _____ DOWNSPOUT SCUPPER(S) STYLE ___A___B
 (____X____) SIZE A: TAPERED 1 1/2" DROP
 B: FLAT

FOR NON-90 MITERS SEE PRINT APPROVAL #15010-1625

PROJECT: _____
 ARCHITECT: _____
 ROOFING CONTRACTOR: _____
 REPRESENTATIVE/DISTRIBUTOR: _____

Customer Service
866-458-3537
(Metal-Era)



DATE: 05/05/17
 DRN BY: JAB
 CKD BY: SAK

SHT.# _____ OF _____
 DWG# 15010-1642 **J**