

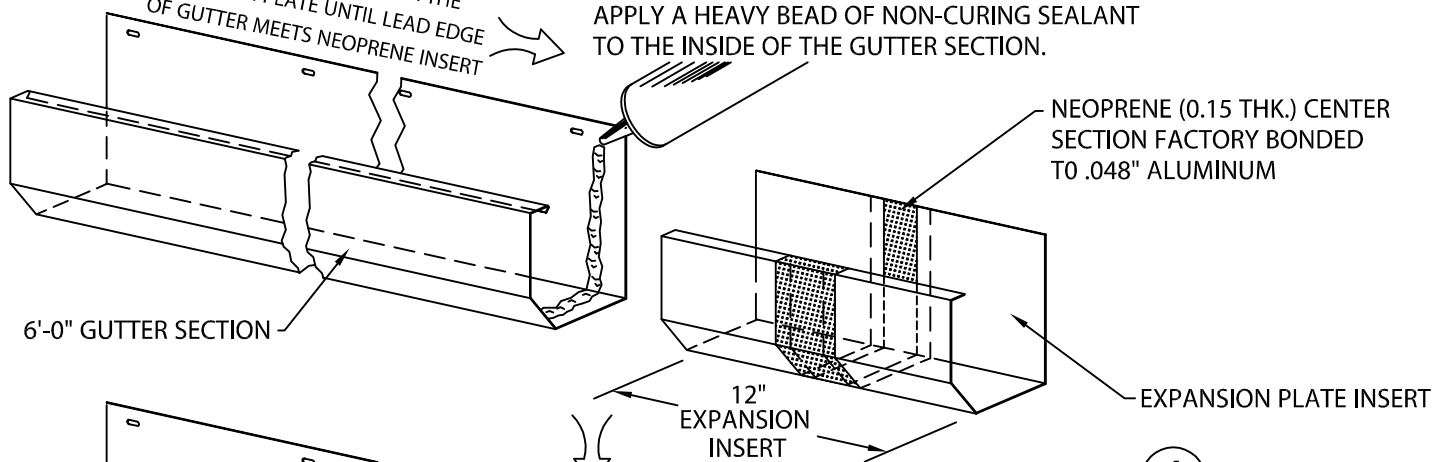
# GUTTER EXPANSION JOINT STYLE "2" INSTALLATION AND OVERVIEW

1 CUT A 12'-0" SECTION OF THE GUTTER INTO (2) 6'-0" PIECES. (THE EXPANSION JOINT IS DESIGNED TO FIT BETWEEN THE (2) 6'-0" SECTIONS).

2 SLIDE GUTTER SECTION OVER THE EXPANSION PLATE UNTIL LEAD EDGE OF GUTTER MEETS NEOPRENE INSERT

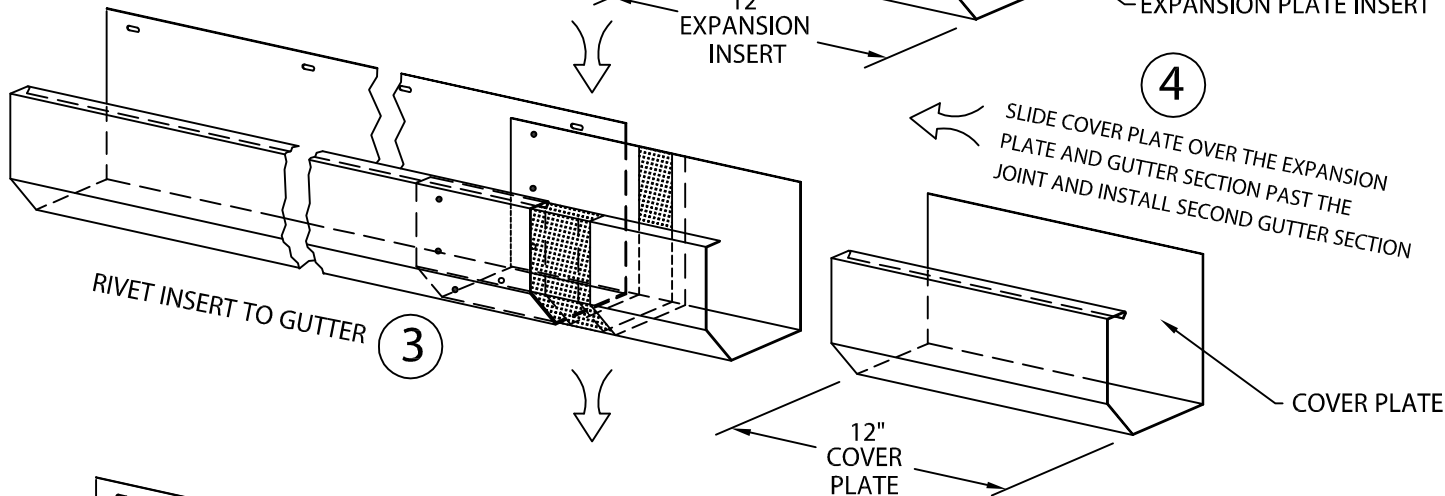
APPLY A HEAVY BEAD OF NON-CURING SEALANT TO THE INSIDE OF THE GUTTER SECTION.

NEOPRENE (0.15 THK.) CENTER SECTION FACTORY BONDED TO .048" ALUMINUM



4

SLIDE COVER PLATE OVER THE EXPANSION PLATE AND GUTTER SECTION PAST THE JOINT AND INSTALL SECOND GUTTER SECTION



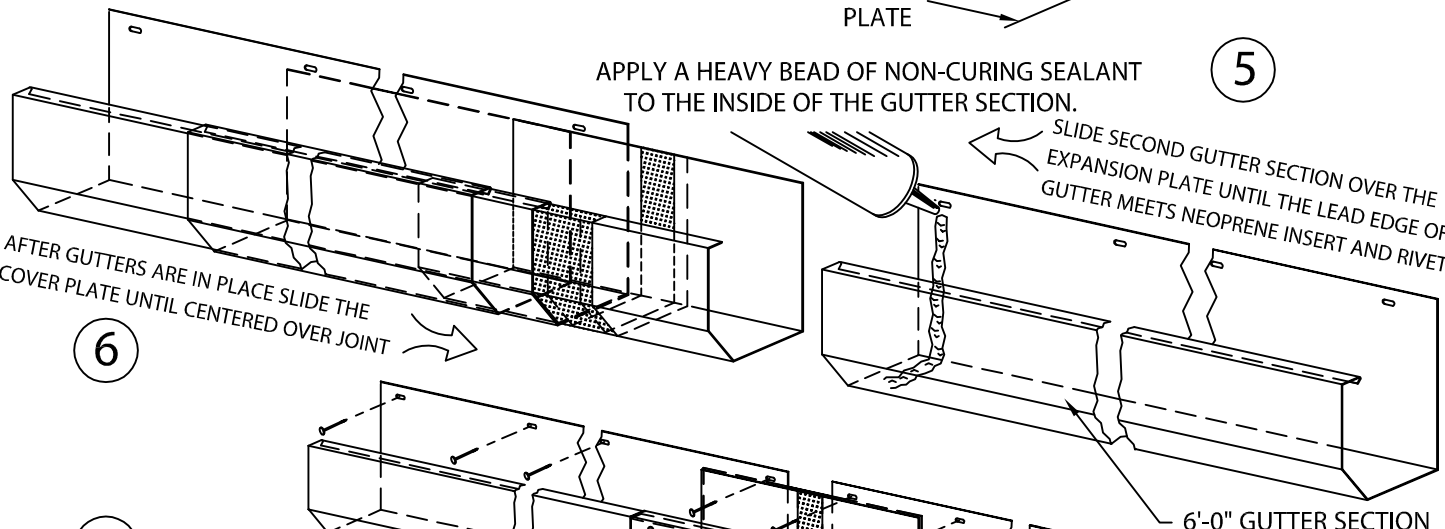
3

RIVET INSERT TO GUTTER

5 APPLY A HEAVY BEAD OF NON-CURING SEALANT TO THE INSIDE OF THE GUTTER SECTION.

5

SLIDE SECOND GUTTER SECTION OVER THE EXPANSION PLATE UNTIL THE LEAD EDGE OF GUTTER MEETS NEOPRENE INSERT AND RIVET.



6

AFTER GUTTERS ARE IN PLACE SLIDE THE COVER PLATE UNTIL CENTERED OVER JOINT

7

COMPLETION

NOTE :

THE COVER PLATE MAY BE POP RIVETED TO THE EXPANSION PLATE AND GUTTER. BUT ONLY ON ONE SIDE TO PERMIT EXPANSION.