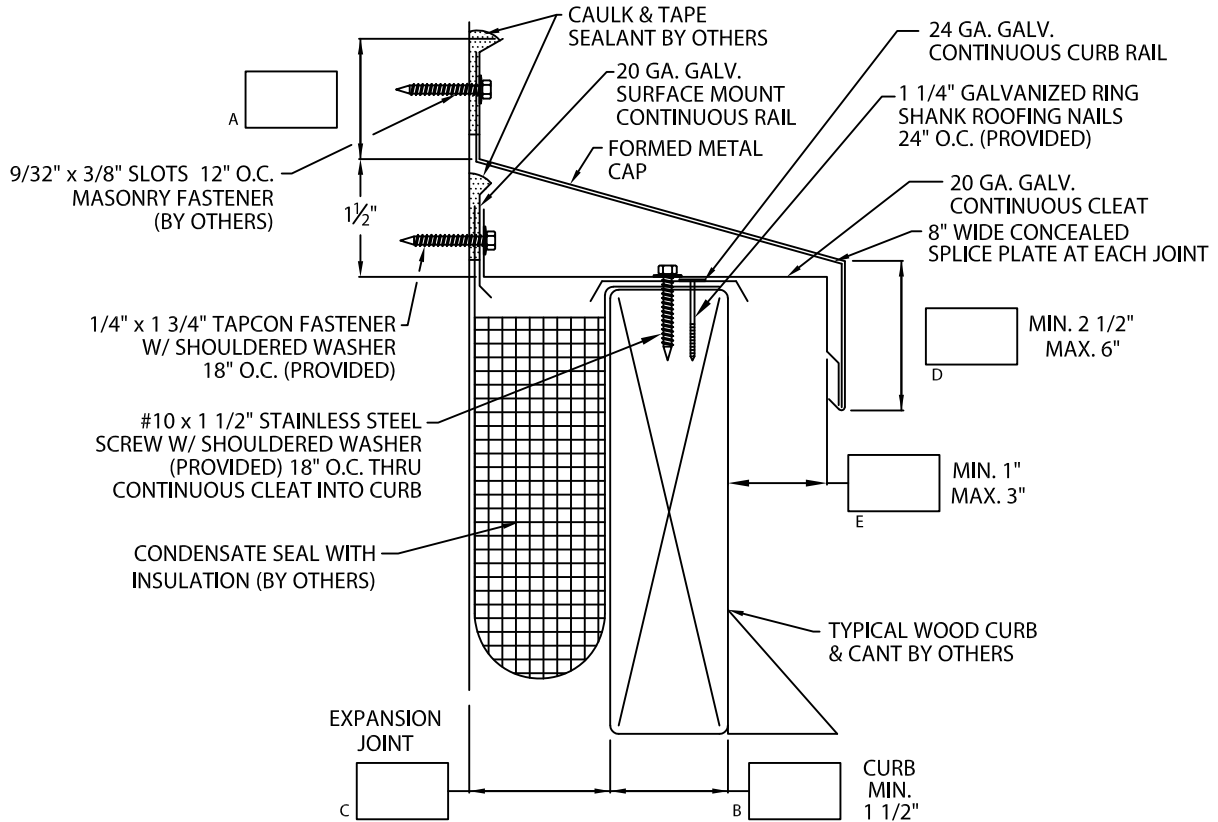


# SOPRA-TITE EXPANSION JOINT

ROOF TO WALL VERSION



-- WELDED MITERS AND ACCESSORIES  
 CHECK ONE  REQUIRED (SURCHARGE)  NOT APPLICABLE

-- UNLESS OTHERWISE NOTED, FABRICATION OF MITERS AND ACCESSORIES ARE FURNISHED STANDARD UTILIZING A NON-PENETRATING QUICKLOCK JOINT, THEN FACTORY SEALED WATERTIGHT.

## MATERIAL:

\_\_\_ 24 GA. GALV. STEEL                      \_\_\_ .050" ALUMINUM  
 \_\_\_ .040" ALUMINIUM                      \_\_\_ .063" ALUMINUM  
 \_\_\_ OTHER \_\_\_\_\_

COLOR: \_\_\_\_\_ FINISH: \_\_\_\_\_

## QUANTITIES:

\_\_\_\_\_ LINEAL FEET 12'-0" LENGTHS  
 \_\_\_\_\_ OUTSIDE MITER(S) @ (\_\_\_\_\_)°  
 \_\_\_\_\_ INSIDE MITER(S) @ (\_\_\_\_\_)°  
 \_\_\_\_\_ RIGHT HAND ENDCAP INSERT(S) (AS SEEN FROM ROOF)  
 \_\_\_\_\_ LEFT HAND ENDCAP INSERT(S) (AS SEEN FROM ROOF)  
 \_\_\_\_\_ RIGHT ENDWALL FLASHING(S)\* (AS SEEN FROM ROOF)  
 \_\_\_\_\_ LEFT ENDWALL FLASHING(S)\* (AS SEEN FROM ROOF)

\* .040" MILL PAINTED/WELDED ONLY

Fabrication will proceed only after receipt of signed print approval.

## Print Approval:

Architect and/or contractor shall verify all dimensions, sizes and quantities. All products to be installed in strict accordance with Soprema's printed instructions.

Approved by: \_\_\_\_\_

Date: \_\_\_\_\_

PROJECT:

ARCHITECT:

ROOFING CONTRACTOR:

REPRESENTATIVE/DISTRIBUTOR:

800-356-3521

www.soprema.us

310 Quadral Dr. Wadsworth, OH 44281

f: 330-334-6257



DATE: 09/21/18

DRN BY: JJC

CKD BY: SAK

SHT.# \_\_\_ OF \_\_\_

DWG# 33028-23711

C