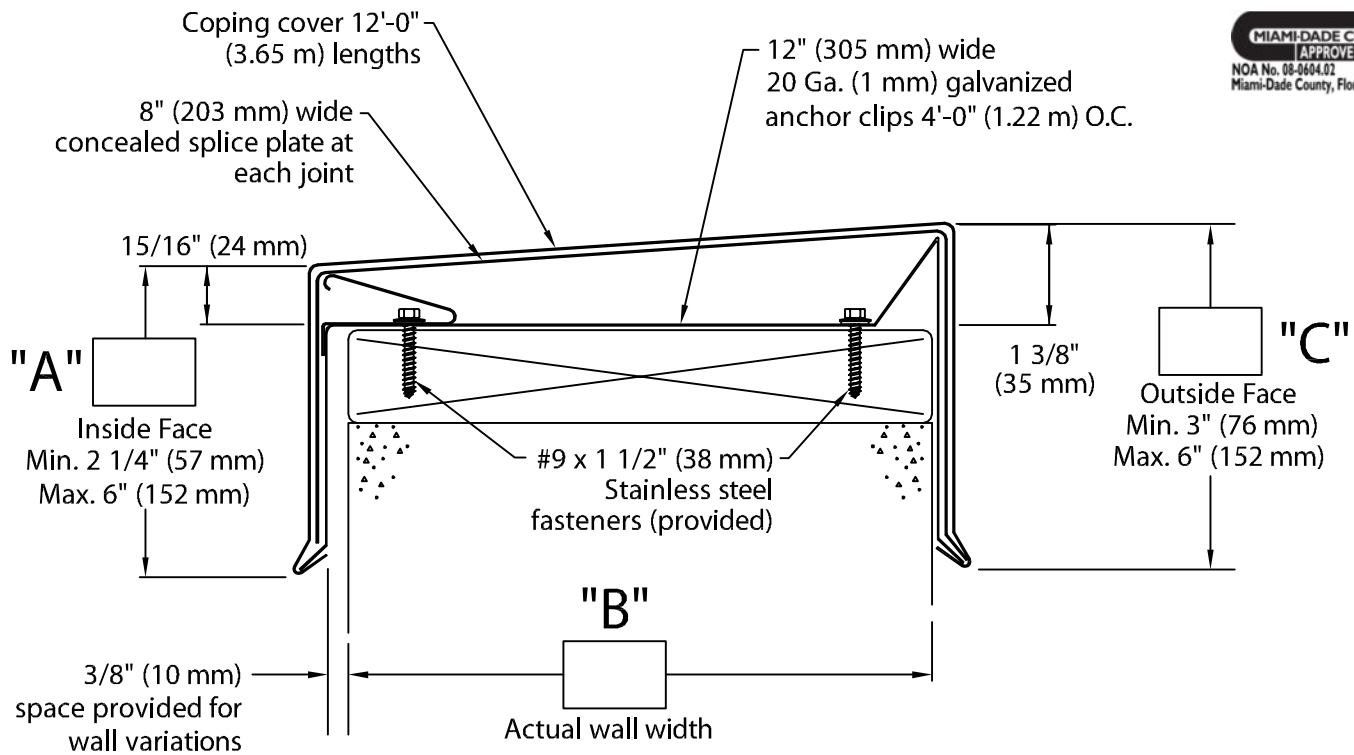


DOW COPING

TAPERED VERSION

ANSI/SPRI ES-1 TESTED



Coping is to be installed per Specifications and Dow Roofing Systems' Installation Instruction Dwg. # 12111-2990

- Concealed splice plates are provided with factory applied dual non-curing sealant strips.
- Unless otherwise noted, fabrication of miters and accessories are furnished standard utilizing a non-penetrating quicklock joint, then factory sealed watertight.

- Welded Miters and Accessories
 Check one Required (surcharge) Not applicable

Fabrication will proceed only after receipt of signed print approval.

Print Approval:

Architect and/or contractor shall verify all dimensions, sizes and quantities. All products to be installed in strict accordance with Dow Roofing Systems' printed instructions.

Approved by: _____

Date: _____

MATERIAL:

- ___ 24 Ga. (0.65 mm) Galv.
- ___ .040" (1.01 mm) Alum. Color: _____
- ___ .050" (1.27 mm) Alum.
- ___ .063" (1.60 mm) Alum. Finish: _____
- ___ OTHER _____

QUANTITIES:

- _____ Lineal Feet (12'-0" (3.65 m) Lengths)
- _____ Outside Miters @ (_____°)
- _____ Inside Miters @ (_____°)
- _____ Right End Caps
- _____ Left End Caps

PROJECT:

ARCHITECT:

ROOFING CONTRACTOR:

REPRESENTATIVE/DISTRIBUTOR:

Corporate Offices
 Dow Roofing Systems
 Nine Sullivan Road
 Holyoke, MA 01040
 P: 800-621-ROOF



ROOFING SYSTEMS

DATE: 03/02/12

DRN BY: JJC

CKD BY: SAK

SHT.# ___ OF ___

DWG# 12011-2988

E