



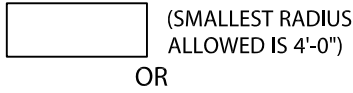
RADIUS ONE EDGE

FULLY ADHERED OR MECHANICALLY ATTACHED SINGLE-PLY VERSION
.050 AND .063" ALUMINUM COVER MATERIAL

IMPORTANT!!! MUST INDICATE PROPER RADIUS CONDITION BY CIRCLING APPROPRIATE OUTSIDE FACE

PROVIDING A RADIUS
THE RADIUS MAY BE PROVIDED
IN ONE OF TWO METHODS:

1.) THE ACTUAL KNOWN RADIUS IS

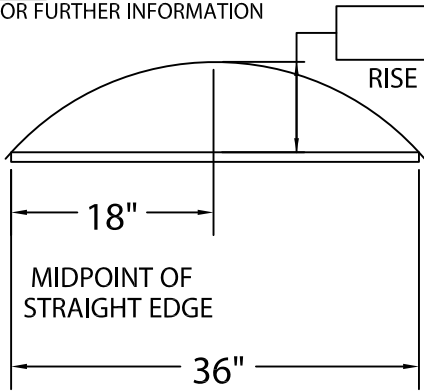


OR

2.) FIELD CONDITION MEASUREMENTS

NOTE: REFER TO ATTACHED WORKSHEET FOR FURTHER INFORMATION

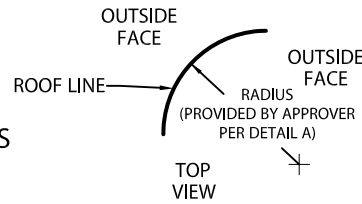
(MAX. RISE ALLOWED IS 3 1/2" ON 36" CHORD)



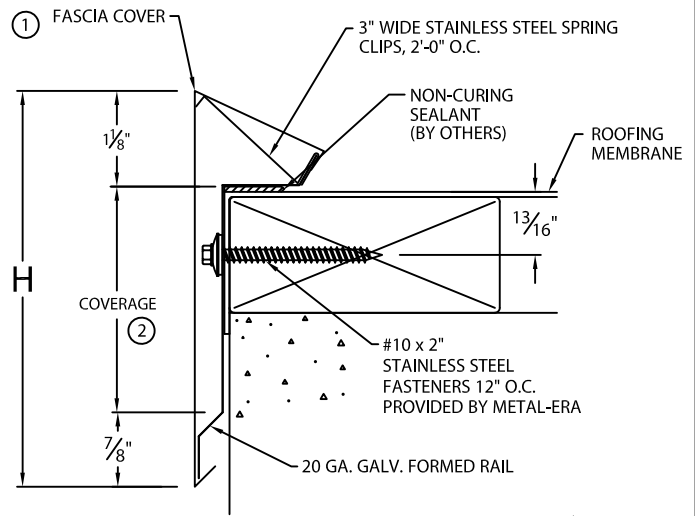
LENGTH OF STRAIGHT EDGE

NOTE: CHECK MEASUREMENTS ALONG ENTIRE RADIUS.

DETAIL A



RADIUS FASCIA



----- INDICATES AREA TO BE SLIT TO FORM RADIUS
 OVER 150'-0" RADIUS = NO SLITS
 30'-0" - 150'-0" RADIUS = SLITS 12" O.C.
 16'-0" - 30'-0" RADIUS = SLITS 6" O.C.
 8'-0" - 16'-0" RADIUS = SLITS 3" O.C.
 4'-0" - 8'-0" RADIUS = CUSTOM SLITS 3" O.C.

RADIUS FORMED RAIL

NOTES:

- ① FASCIA COVER PROVIDED WITH 3 1/2" SPLICE PLATES.
- ② TYPICALLY COVERAGE SHOULD EXTEND A MIN. OF 1" BELOW WOOD BLOCKING IF APPLICABLE.

FASCIA DIMENSIONS

PRODUCT ID. NO.	H DIM	COVERAGE
<input type="checkbox"/> ESE-S40	4"	2"
<input type="checkbox"/> ESE-S50	5"	3"
<input type="checkbox"/> ESE-S65	6 1/2"	4 1/2"
<input type="checkbox"/> ESE-S80	8"	6"

Fabrication will proceed only after receipt of signed print approval.

Print Approval:

Architect and/or contractor shall verify all dimensions, sizes and quantities. All products to be installed in strict accordance with Metal-Era's printed instructions.

Approved by: _____

Date: _____

MATERIAL:

___ .050" Aluminum
 ___ .063" Aluminum
 ___ OTHER _____

Color: _____

Finish: _____

QUANTITIES:

_____ Lineal Feet 12'-0" Lengths
 Cover and Rail Supplied in 12'-0" Lengths for 16'-0" radius or greater.
 Cover and Rail Supplied in 6'-0" Lengths for radius less than 16'-0".

PROJECT:

ARCHITECT:

ROOFING CONTRACTOR:

REPRESENTATIVE/DISTRIBUTOR:

Corporate Offices, Manufacturing
 1600 Airport Road; Waukesha, WI 53188
 Phone: 800-558-2162
 Fax: 800-373-9156
 www.metalera.com



DATE: 03/10/17

DRN BY: JAB

CKD BY: SAK

SHT.# ___ OF ___

DWG# 24010-19872

G