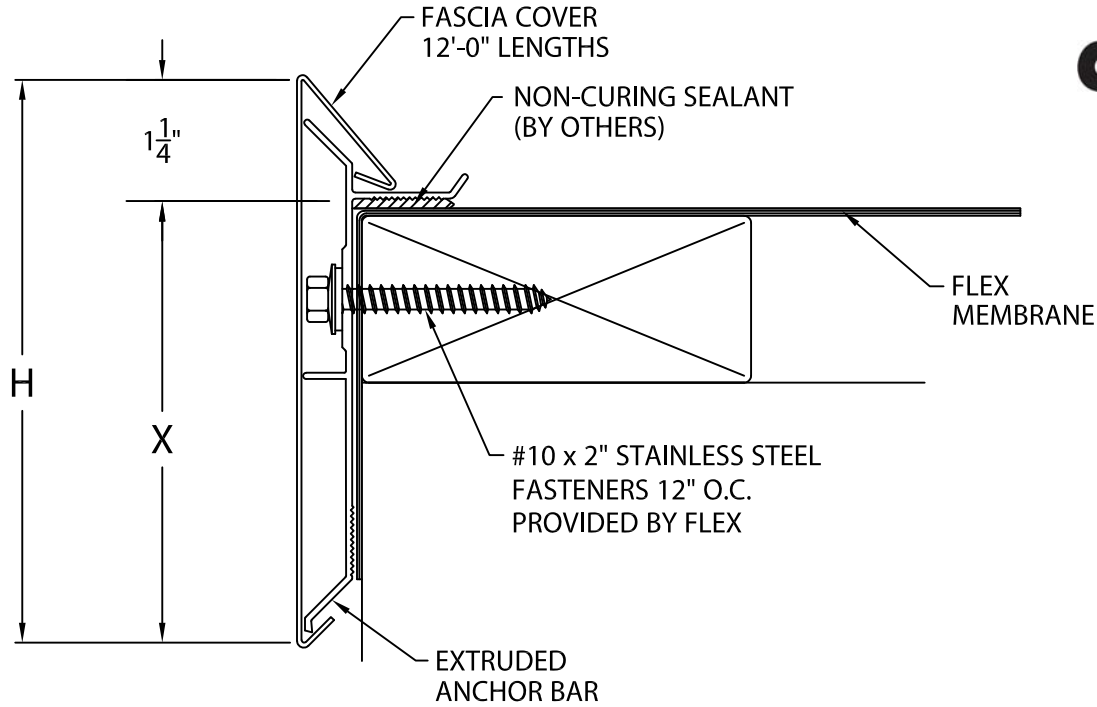




# FLEXLOCK FLE ROOF EDGE

FULLY ADHERED OR MECHANICALLY ATTACHED SINGLE-PLY VERSION

ANSI/SPRI ES-1 DESIGN PRESSURE UP TO 275 psf



Fascia is to be installed per Specifications and Flex's Installation Instructions Dwg. # 28110-3440

## FLEXLOCK FLE ROOF EDGE DIMENSIONS

PRODUCT ID. NO.	H DIM	X DIM	NAILER COVERAGE
<input type="checkbox"/> AF-40	4"	2 3/4"	1 NAILER
<input type="checkbox"/> AF-55	5 1/2"	4 1/4"	2 NAILERS
<input type="checkbox"/> AF-70	7"	5 3/4"	3 NAILERS
<input type="checkbox"/> AF-85	8 1/2"	7 1/4"	4 NAILERS

## MATERIAL:

\_\_\_ 24 Ga. Galv. Steel      \_\_\_ .040" Aluminum

\_\_\_ OTHER \_\_\_\_\_

Color: \_\_\_\_\_ Finish: \_\_\_\_\_

Fabrication will proceed only after receipt of signed print approval.

## Print Approval:

Architect and/or contractor shall verify all dimensions, sizes and quantities. All products to be installed in strict accordance with Flex's printed instructions.

Approved by: \_\_\_\_\_

Date: \_\_\_\_\_

## QUANTITIES:

\_\_\_\_\_ Lineal Feet (12'-0" Lengths)

\_\_\_\_\_ Outside Miter(s) @ 90°

\_\_\_\_\_ Inside Miter(s) @ 90°

\_\_\_\_\_ Overflow Scupper Style \_\_\_A\_\_\_B

\_\_\_\_\_ Spillout Scupper Style \_\_\_A\_\_\_B

\_\_\_\_\_ Downspout Scupper Style \_\_\_A\_\_\_B

(\_\_\_X\_\_\_) Size

A: Tapered 1 1/2" Drop

B: Flat

FOR NON-90 MITERS SEE PRINT APPROVAL #28010-3436

PROJECT:

ARCHITECT:

ROOFING CONTRACTOR:

REPRESENTATIVE/DISTRIBUTOR:

Customer Service:

Phone: 800-969-0108

Fax: 610-916-9501



DATE: 03/06/19

DRN BY: ZS

CKD BY: SAK

SHT.# \_\_\_ OF \_\_\_

DWG# 28010-3166

J