

GARDEN-TITE RADIUS DRAIN BAR

IMPORTANT!!! MUST INDICATE PROPER RADIUS CONDITION BY CIRCLING APPROPRIATE OUTSIDE FACE

PROVIDING A RADIUS
THE RADIUS MAY BE PROVIDED
IN ONE OF TWO METHODS:

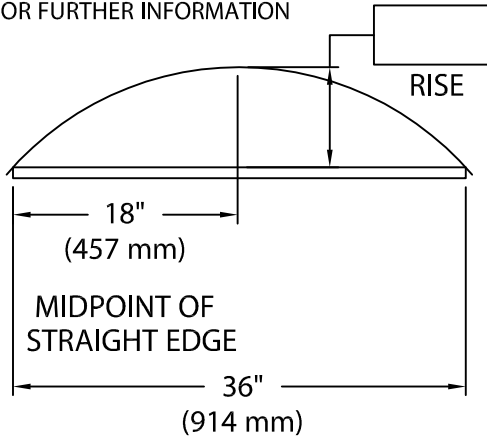
1.) THE ACTUAL KNOWN RADIUS IS



OR

2.) FIELD CONDITION MEASUREMENTS

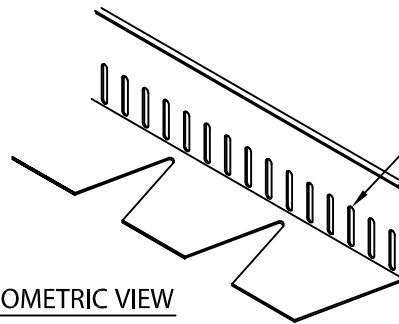
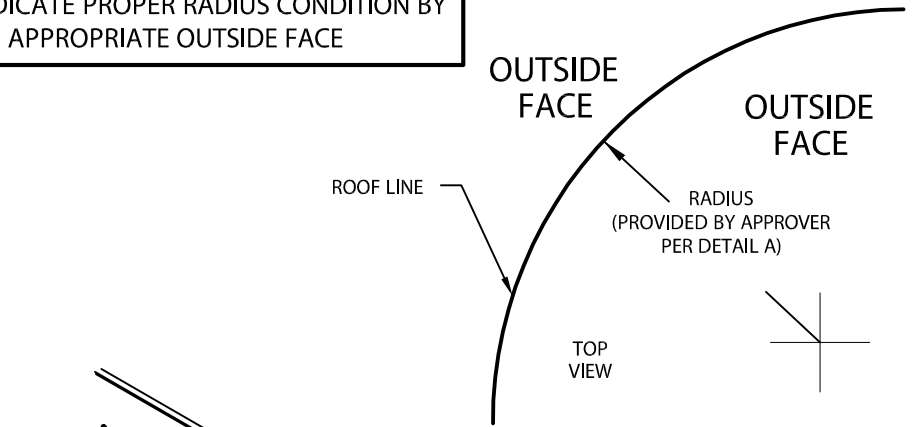
NOTE: REFER TO ATTACHED WORKSHEET
FOR FURTHER INFORMATION



LENGTH OF
STRAIGHT EDGE

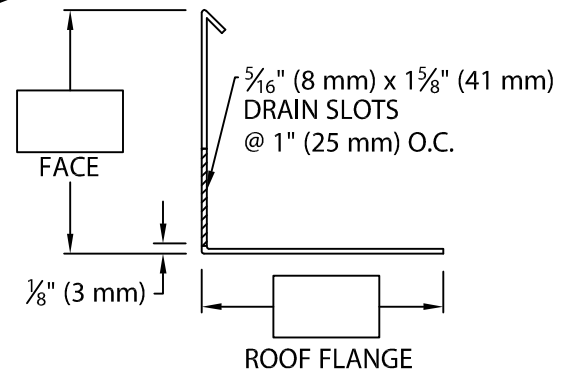
NOTE: CHECK MEASUREMENTS ALONG ENTIRE RADIUS.

DETAIL A



ISOMETRIC VIEW

NOTE:
INCLUDES 3 1/2 inch (89 mm) WIDE
CONCEALED SPLICE
PLATE AT EACH JOINT.



Fabrication will proceed only after receipt of signed print approval.

Print Approval:

Architect and/or contractor shall verify all dimensions, sizes and quantities. All products to be installed in strict accordance with Metal-Era's printed instructions.

Approved by: _____

Date: _____

MATERIAL:

- ___ .063" (1.60 mm) Mill Finish Alum.
- ___ .080" (2.03 mm) Mill Finish Alum.
- ___ .125" (3.18 mm) Mill Finish Alum.

QUANTITIES:

_____ Lineal Feet 12'-0" (3.65 m) Lengths

PROJECT:

ARCHITECT:

ROOFING CONTRACTOR:

REPRESENTATIVE/DISTRIBUTOR:

Corporate Offices, Manufacturing
1600 Airport Road; Waukesha, WI 53188
Phone: 800-558-2162
Fax: 800-373-9156
www.metalera.com



DATE: 04/30/10

DRN BY: JJC

CKD BY: SAK

SHT.# ____ OF ____

DWG# 11030-8577

C