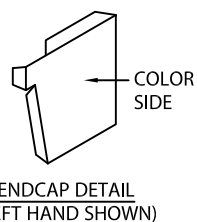
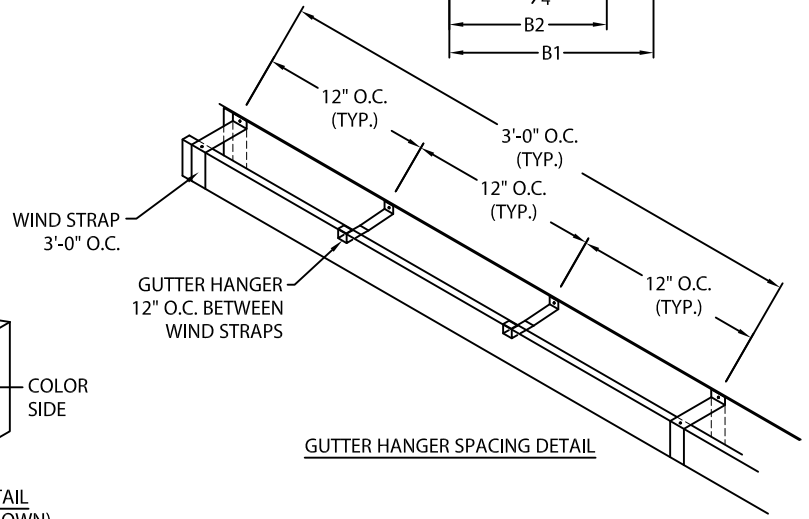
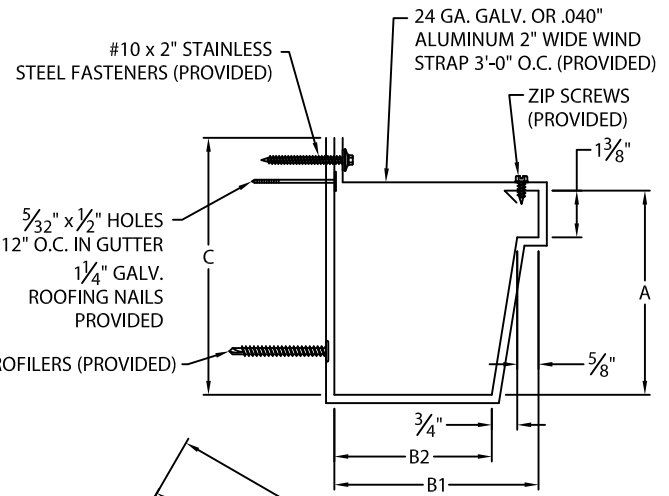
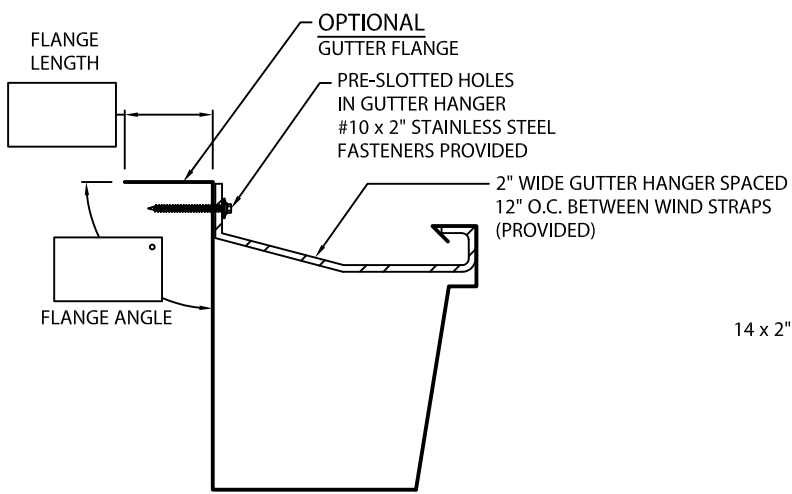


# LG GUTTER

IGG-3 VERSION

WITH WIND STRAPS



PRODUCT ID #	C	B1	B2	A
<input type="checkbox"/> IGG3-C10	10"	9"	7 5/8"	9"
<input type="checkbox"/> IGG3-C11	11"	10"	8 5/8"	10"
<input type="checkbox"/> IGG3-C12	12"	11"	9 5/8"	11"
<input type="checkbox"/> IGG3-C13	13"	12"	10 5/8"	12"

- NOTES:**
- MAXIMUM DOWNSPOUT DIMENSION NOT TO EXCEED "B2" MINUS 9/16".
  - 6" WIDE SPLICE PLATES PROVIDED.
  - 1/8" STAINLESS STEEL POP RIVETS PROVIDED.
  - UNLESS OTHERWISE NOTED, FABRICATION OF MITERS ARE FURNISHED STANDARD UTILIZING A NON-PENETRATING QUICKLOCK JOINT, THEN FACTORY SEALED WATERTIGHT.
  - WELDED ACCESSORIES REQUIRE A MINIMUM MATERIAL THICKNESS OF .050".

**MATERIAL:**

\_\_\_ 22 GA. GALV. STEEL                      \_\_\_ .063" ALUMINUM  
\_\_\_ .050" ALUMINUM                        \_\_\_ OTHER \_\_\_\_\_

(NOT AVAILABLE IN 24 GA. GALV. STEEL OR .040" ALUMINUM)

Fabrication will proceed only after receipt of signed print approval.

**Print Approval:**

Architect and/or contractor shall verify all dimensions, sizes and quantities. All products to be installed in strict accordance with Metal-Era's printed instructions.

Approved by: \_\_\_\_\_

Date: \_\_\_\_\_

- QUANTITIES:**
- \_\_\_ LINEAL FEET 12'-0" LENGTHS                      SPECIFY MITER TYPE:  
\_\_\_ OUTSIDE MITERS @ 90°                                       WELDED  
\_\_\_ INSIDE MITERS @ 90°                                         QUICKLOCK  
\_\_\_ RIGHT ENDCAPS  
\_\_\_ LEFT ENDCAPS  
\_\_\_ EXPANSION JOINTS STYLE "1"  
\_\_\_ EXPANSION JOINTS STYLE "2"

FOR NON-90 MITERS SEE PRINT APPROVAL #11012-10010

<b>PROJECT:</b>	Corporate Offices, Manufacturing 1600 Airport Road; Waukesha, WI 53188 Phone: 800-558-2162 Fax: 800-373-9156 www.metalera.com
<b>ARCHITECT:</b>	
<b>ROOFING CONTRACTOR:</b>	
<b>REPRESENTATIVE/DISTRIBUTOR:</b>	



DATE: 10/04/21	SHT.# ___ OF ___	
DRN BY: JJC		
CKD BY: MM	DWG# 11012-37210	A