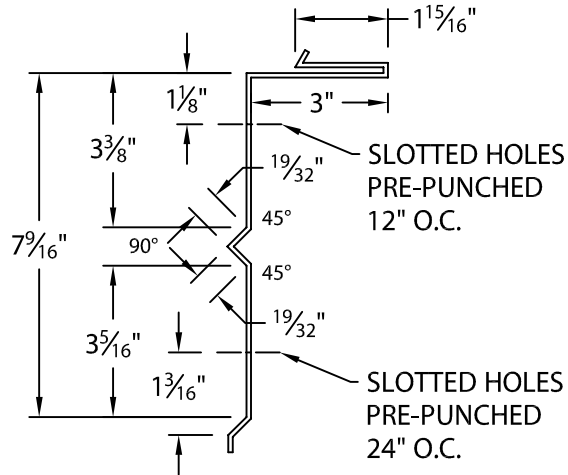


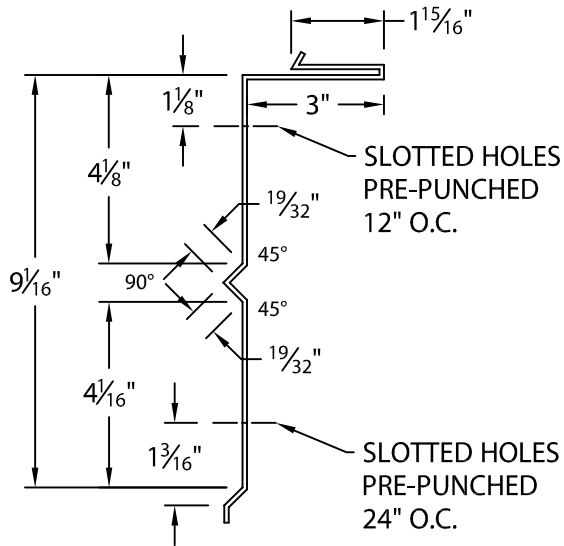
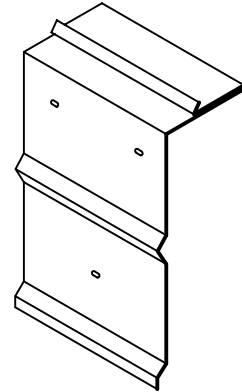
# FLEXLOCK FLT EXTENDED ROOF EDGE

BUILT-UP OR MODIFIED VERSION

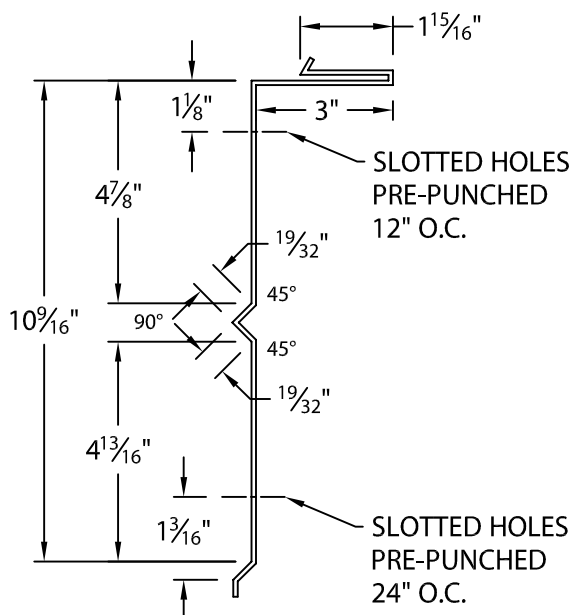
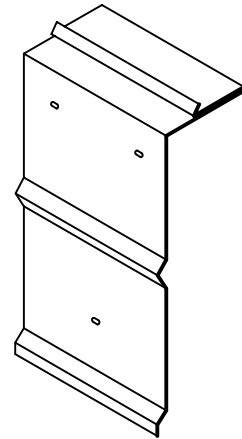
FORMED RAIL DETAILS



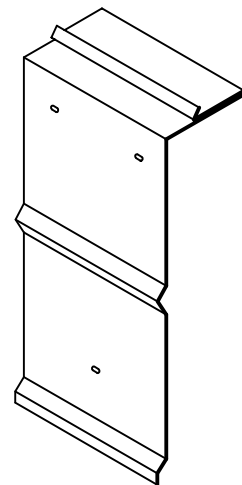
MEM-95



MEM-110



MEM-125



Customer Service  
Phone: 800-969-0108  
Fax: 610-916-9501

DATE: 12/13/10  
DRN BY: JJC  
CKD BY: SAK

SHT.# \_\_\_ OF \_\_\_  
DWG# 28510-11814

B