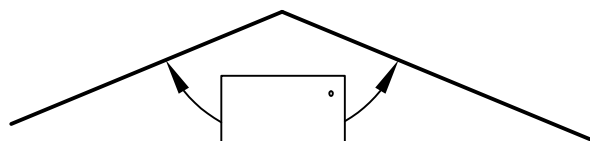


NON 90° FASCIA MITERS

OUTSIDE MITER - OBTUSE



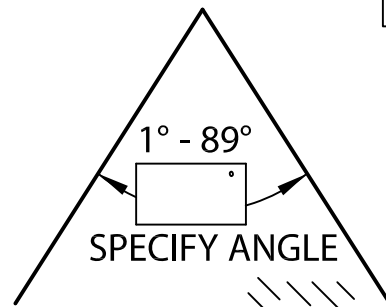
SPECIFY ANGLE 91° - 179°



- Standard Leg Lengths
 Custom Leg Lengths _____ Qty _____

OUTSIDE MITER - ACUTE

INTERNAL USE



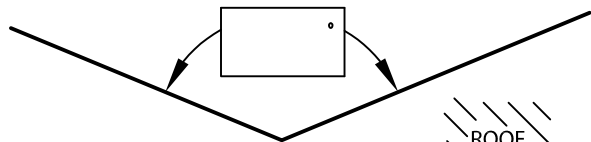
1° - 89°

SPECIFY ANGLE



- Standard Leg Lengths
 Custom Leg Lengths _____ Qty _____

INSIDE MITER - OBTUSE



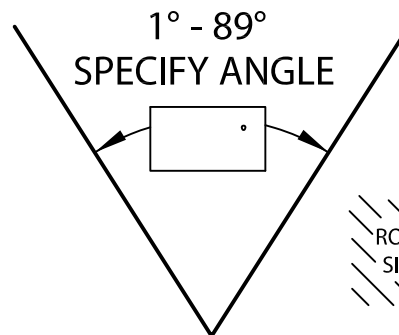
SPECIFY ANGLE 91° - 179°



- Standard Leg Lengths
 Custom Leg Lengths _____ Qty _____

INSIDE MITER - ACUTE

INTERNAL USE



1° - 89°

SPECIFY ANGLE



- Standard Leg Lengths
 Custom Leg Lengths _____ Qty _____

Fabrication will proceed only after receipt of signed print approval.

Print Approval:

Architect and/or contractor shall verify all dimensions, sizes and quantities. All products to be installed in strict accordance with GenFlex's printed instructions.

Approved by: _____

Date: _____

MATERIAL:

___ 24 Ga. (.65 mm) Galv.

___ .040" (1.01 mm) Alum.

___ .050" (1.27 mm) Alum.

___ .063" (1.60 mm) Alum.

___ OTHER _____

Color: _____

Finish: _____

PROJECT:

ARCHITECT:

ROOFING CONTRACTOR:

REPRESENTATIVE/DISTRIBUTOR:

Customer Service

Phone: 800-558-2162

Fax: 800-373-9156

www.metalera.com/genflex



DATE: 02/18/21

DRN BY: JJC

CKD BY: MM

SHT.# ___ OF ___

DWG# 22010-2369

E

NON 90° FASCIA MITERS

RIGHT ANGLES ARE 90°
 ACUTE ANGLES RANGE FROM 1° - 89°
 OBTUSE ANGLES RANGE FROM 91° - 179°

