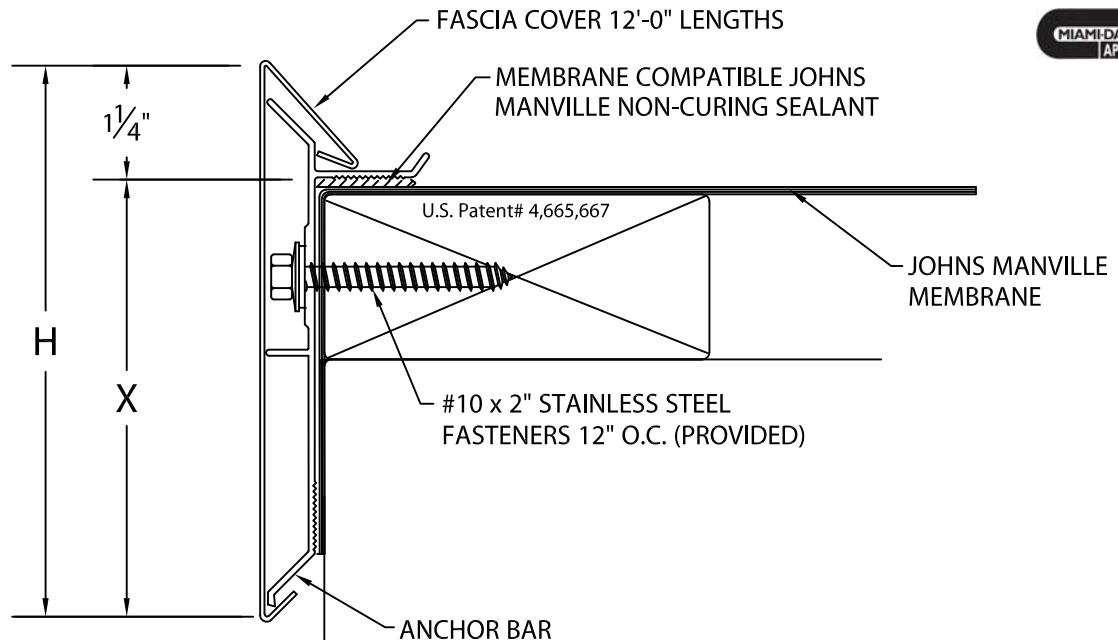




PRESTO-TITE FASCIA

FULLY ADHERED OR MECHANICALLY ATTACHED SINGLE-PLY VERSION

ANSI/SPRI ES-1 DESIGN PRESSURE UP TO 275 psf



Fascia is to be installed per Specifications and Johns Manville's Installation Instructions Dwg. # 16110-2115

PRESTO-TITE FASCIA DIMENSIONS

PRODUCT ID. NO.	H DIM	X DIM	NAILER COVERAGE
<input type="checkbox"/> PF-40	4"	2 3/4"	1 NAILER
<input type="checkbox"/> PF-55	5 1/2"	4 1/4"	2 NAILERS
<input type="checkbox"/> PF-70	7"	5 3/4"	3 NAILERS
<input type="checkbox"/> PF-85	8 1/2"	7 1/4"	4 NAILERS

MATERIAL:

24 Ga. Galv. Steel
 .040" Aluminum OTHER _____
 Color: _____ Finish: _____

Fabrication will proceed only after receipt of signed print approval.

Print Approval:

Architect and/or contractor shall verify all dimensions, sizes and quantities. All products to be installed in strict accordance with Johns Manville's printed instructions.

Approved by: _____

Date: _____

QUANTITIES:

_____ Lineal Feet (12'-0" Lengths)
 _____ Outside Miter(s) @ 90°
 _____ Inside Miter(s) @ 90°
 _____ Overflow Scupper Style ___A___B
 _____ Spillout Scupper Style ___A___B
 _____ Downspout Scupper Style ___A___B
 (___X___) Size A: Tapered 1 1/2" Drop
 B: Flat

FOR NON-90 MITERS SEE PRINT APPROVAL #16010-2320

PROJECT: _____
 ARCHITECT: _____
 ROOFING CONTRACTOR: _____
 REPRESENTATIVE/DISTRIBUTOR: _____

51 Lexington Street; Lewiston, ME 04240
 CUSTOMER SERVICE: 800-223-8317 USA
 800-445-1500 Canada
 TECHNICAL SERVICE: 800-445-1500 USA & Canada
 FAX: 207-784-0125
 OTHER AREAS CALL: 207-784-0123



DATE: 03/06/19	SHT.# ___ OF ___
DRN BY: ZS	
CKD BY: SAK	DWG# 16010-2116 G