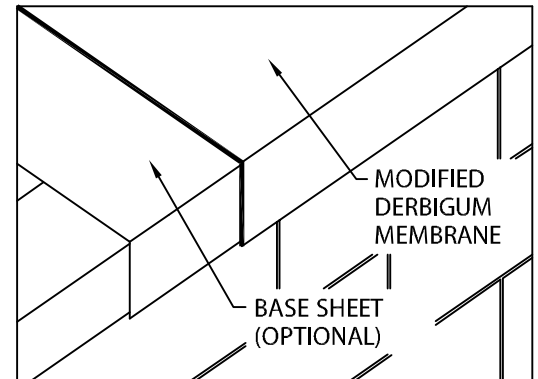
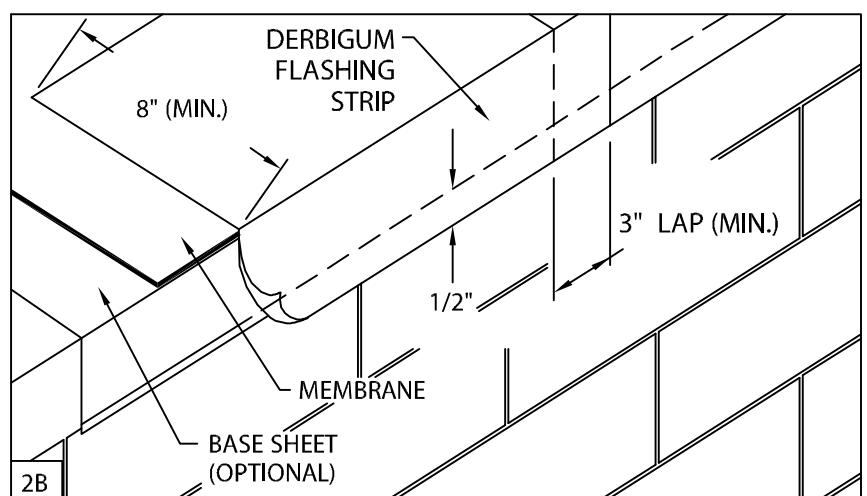
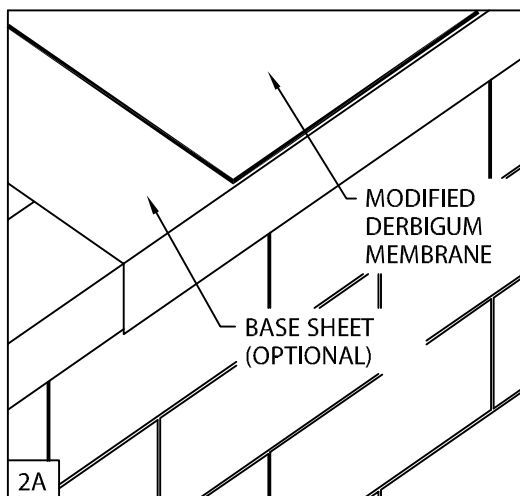


### 1. Roof Membrane

Follow the general recommendations of the Derbigum for membrane treatment at the roof edge. Position modified membrane over the roof edge and down the outside face as shown.



**NOTE:** May require a Derbigum flashing strip. (Refer to drawing 2A & 2B) Please check with Derbigum prior to installation.



### 2. Roof Edge

Install Derbigum flashing strips according to Derbigum's recommendations. Install the largest manageable lengths possible to minimize overlaps under the anchor bar. Following the applicable flashing method (hot mop, cold adhesive, etc..) according to the Derbigum's recommendations, lay the flashing strip into place extending a minimum 8" onto the roof membrane and down the outside face of wall, 1/2" beyond the wood nailer.

**NOTE:** In cold weather, the back of flashing strip should be treated appropriately and shorter lengths of flashing strips should be used.



# DERBIGUM ANCHOR FASCIA

## INSTALLATION INSTRUCTIONS

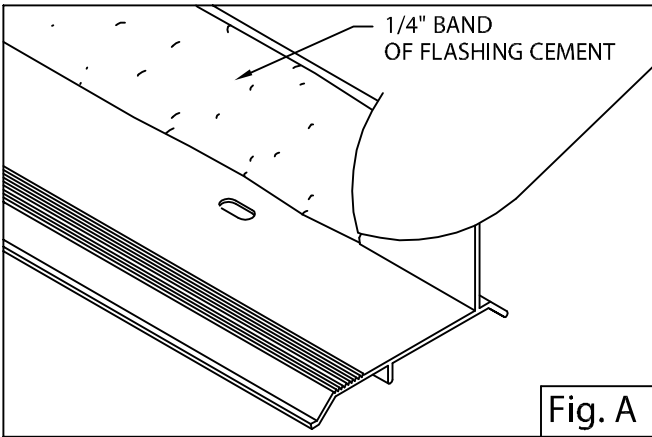


Fig. A

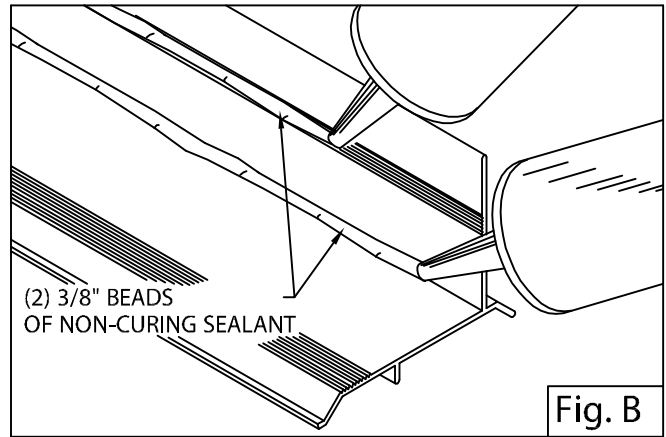
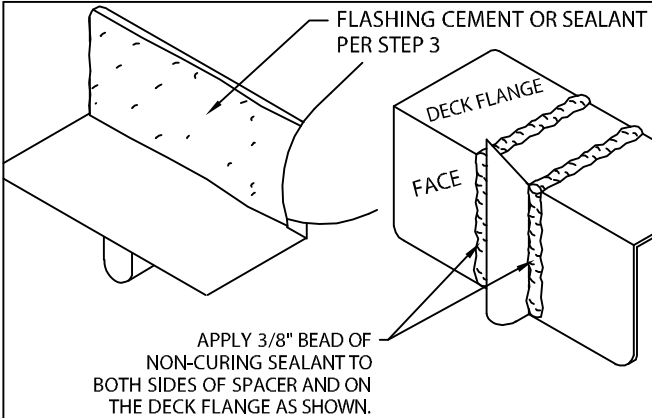


Fig. B

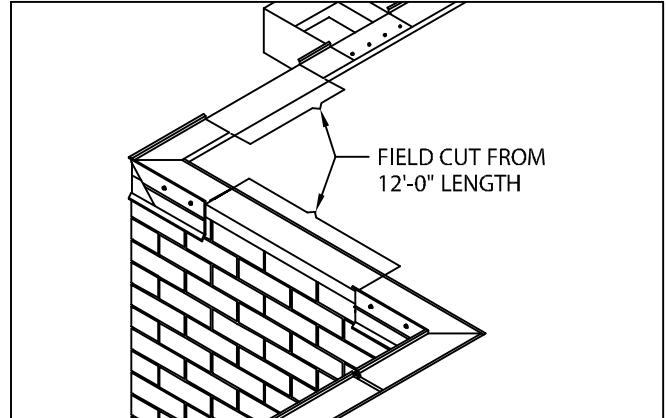
OPTIONAL INSTALL

### 3. Miter & Scupper Anchor Bar (Preparation)

Lay miters and spillout scuppers on deck with outside face down. Be sure aluminum anchor bar is clean and free of dirt or dust. Refer to Fig. A or B, depending on Derbigum's recommendations. For Fig. A, apply a 3" wide 1/4" thick band of flashing cement to the back of the anchor bar as shown. For Fig. B Apply a heavy 3/8" bead of non-curing sealant to the back of anchor bar as shown. Application of either flashing cement or sealant is required along the full length of each miter anchor bar.



APPLY 3/8" BEAD OF NON-CURING SEALANT TO BOTH SIDES OF SPACER AND ON THE DECK FLANGE AS SHOWN.



FIELD CUT FROM 12'-0" LENGTH

### 4. Anchor Bar Splice Plates

Apply flashing cement or sealant to each splice plate as shown and as described in STEP 3.

**CAUTION!** Installers shall wear protective eyewear to prevent injury. Do not over-drive fasteners, as stripping can occur at high driver torque. Recommended driving tool: 600-800 rpm electric drill equipped with depth-sensing nosepiece to prevent over-driving and stripout.

**Do not use impact type tool.**

### 5. Miter Bar Installation

Install miters using 2" stainless steel fasteners and driver bit furnished by Derbigum. Fasten anchor bar corners to nailer with one splice plate under each end of corner. The anchor bar splice plate must be snug to ends of anchor bar. Next locate and install spillouts and scuppers with flashing cement or sealant 2" fasteners and anchor bar splice plates.



Customer Service  
1-800-727-9872

DATE: 02/08/17  
DRN BY: JJC  
CKD BY: SAK

SHT.# 2 OF 4

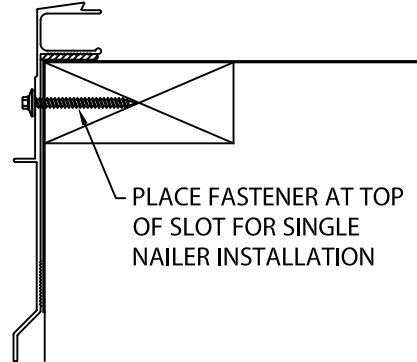
DWG# 20110-25633

A

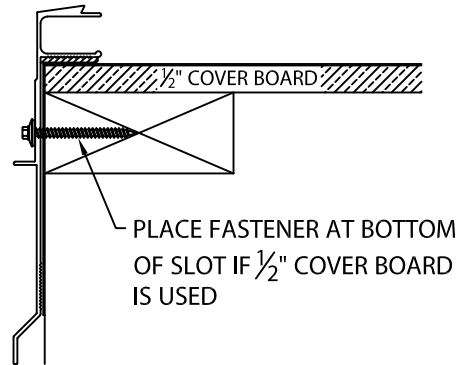
# DIAGONAL SLOT ANCHOR BAR INSTALLATION

NOTE: IF THE SLOTS ON THE ANCHOR BAR ARE ALL HORIZONTAL, NOT DIAGONAL, FASTEN IN THE CENTER OF THE SLOT

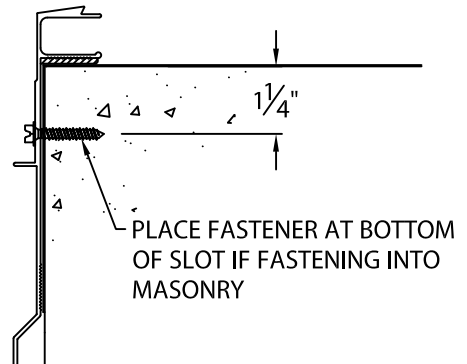
PLACE FASTENER AT TOP OF SLOT FOR SINGLE NAILER INSTALLATION



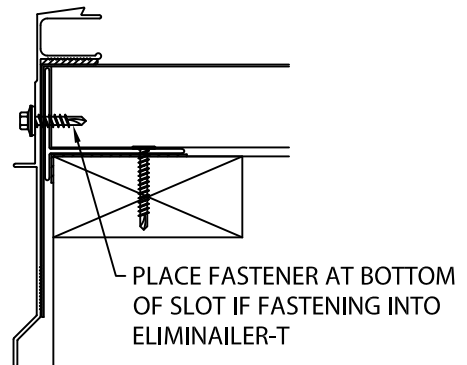
PLACE FASTENER AT BOTTOM OF SLOT IF 1/2" COVER BOARD IS USED



PLACE FASTENER AT BOTTOM OF SLOT IF FASTENING INTO MASONRY



PLACE FASTENER AT BOTTOM OF SLOT IF FASTENING INTO ELIMINAILER-T

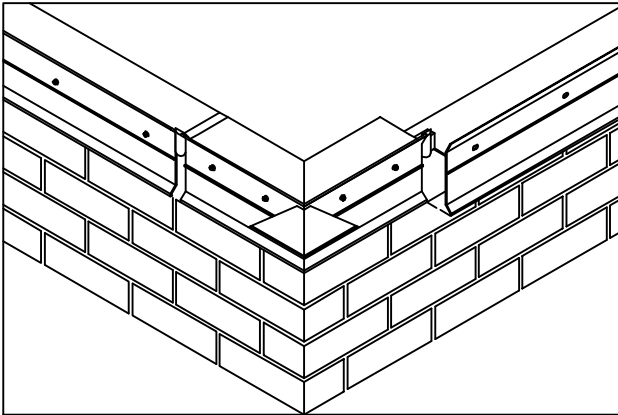




# DERBI-ANCHOR FASCIA

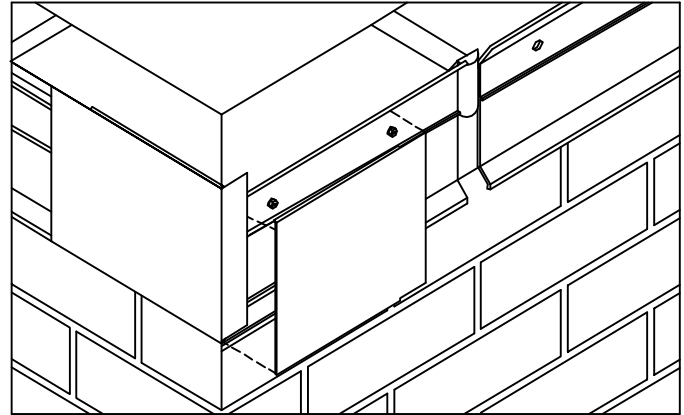
## INSTALLATION INSTRUCTIONS

**IMPORTANT!** Be sure to remove protective plastic film prior to installing each fascia section.



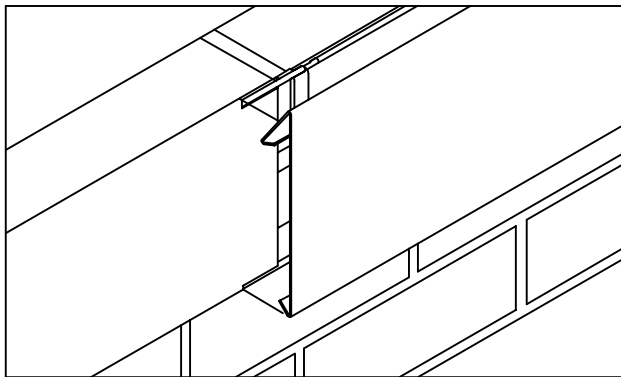
### 6. Anchor Bar (Installation)

Position 12'-0" sections of anchor bar with applied flashing cement or sealant as shown in steps 3 & 4 overlapping anchor bar splice plate. Allow 1/2" space between anchor bars. Install anchor bar splice plate at other end of 12'-0" bar. Fasten anchor bar 12" O.C. through slots using 2" stainless steel fasteners provided. Field cut sections as necessary.



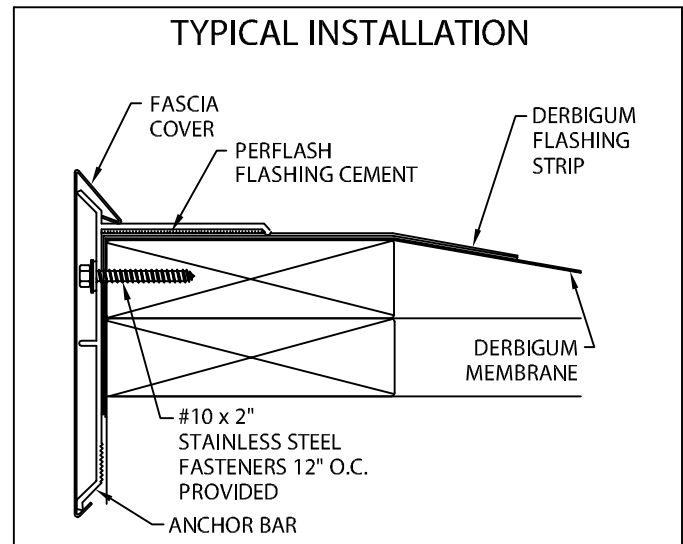
### 7. Fascia Miters Covers

Install 2-piece "snap-on" fascia miter covers first by snapping on fascia corner cover with 90° (degree) tab, followed by fascia miter without the tab. Simply position the cover atop bar and with palm of hand apply slight pressure downward until engaged to anchor bar.



### 8. Fascia Panels

Position 12'-0" fascia panels on top of anchor bar and overlap preceding panel approximately 1" at notches provided. Fascia panels shall be installed from right to left as seen from rooftop. With fascia panels in correct position atop anchor bar, simply snap each section onto anchor bar by applying downward pressure with palm of the hand until the fascia cover is fully engaged along the entire length. Continue to install fascia panels, field cutting where necessary using fine tooth hacksaw.



U.S. Patent # 4,665,667

**IMPORTANT!** Be sure to remove protective film prior to installing each fascia section.



Customer Service  
1-800-727-9872

DATE: 02/08/17  
DRN BY: JJC  
CKD BY: SAK

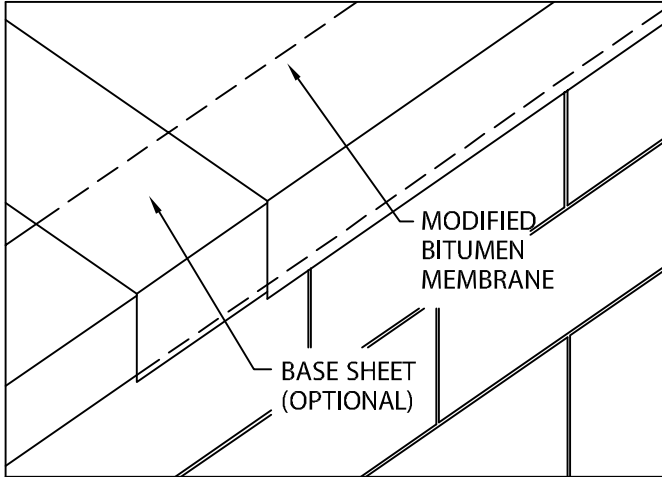
SHT.# 3 OF 4  
DWG# 20110-25633

**A**



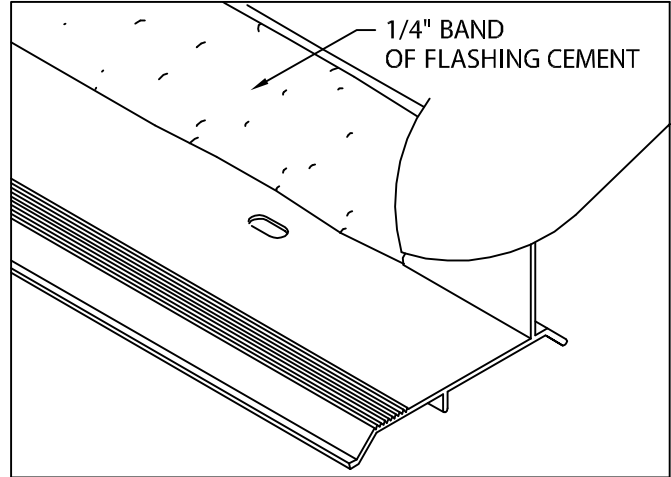
# DERBI-ANCHOR FASCIA

## SCUPPER INSTALLATION INSTRUCTIONS



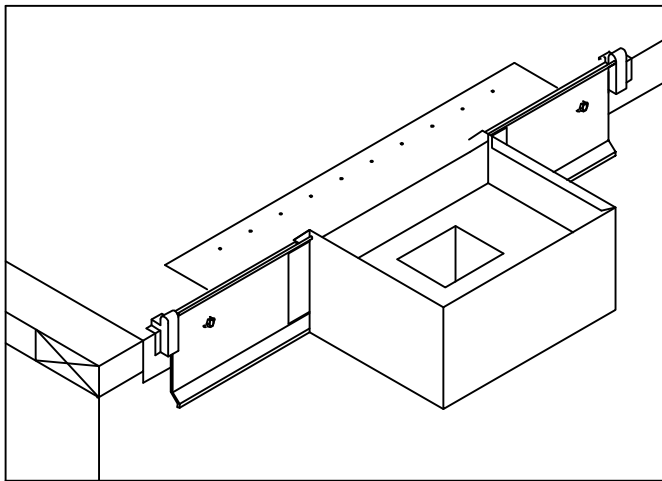
### 1. Roof Membrane

Follow the general recommendations of Derbigum for membrane treatment at the roof edge. Position modified membrane over the roof edge and down outside face of wall as shown.



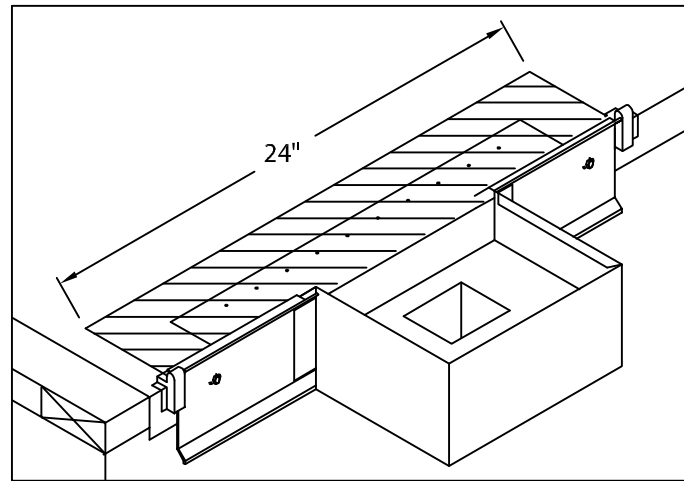
### 2. Scupper Anchor Bar (Preparation)

Lay miters and spillout scuppers on deck with outside face down. Be sure aluminum anchor bar is clean and free of dirt or dust. Apply a 3 1/2" wide 1/4" thick band of flashing cement to the back of the anchor bar as shown. Application of flashing cement is required along the full length of each miter anchor bar.



### 3. Scupper Installation

Install scuppers using 2" stainless steel fasteners. Fasten the scuppers to nailers with one splice plate under each end of scupper anchor bar. Position adjacent 12'-0" sections butted snugly against splice plate EPDM gaskets.



### 4. Flashing Installation

Overlay scupper deck flange with flashing material as specified by Derbigum.



Customer Service  
1-800-727-9872

DATE: 02/08/17  
DRN BY: JJC  
CKD BY: SAK

SHT.# 4 OF 4

DWG# 20110-25633

**A**