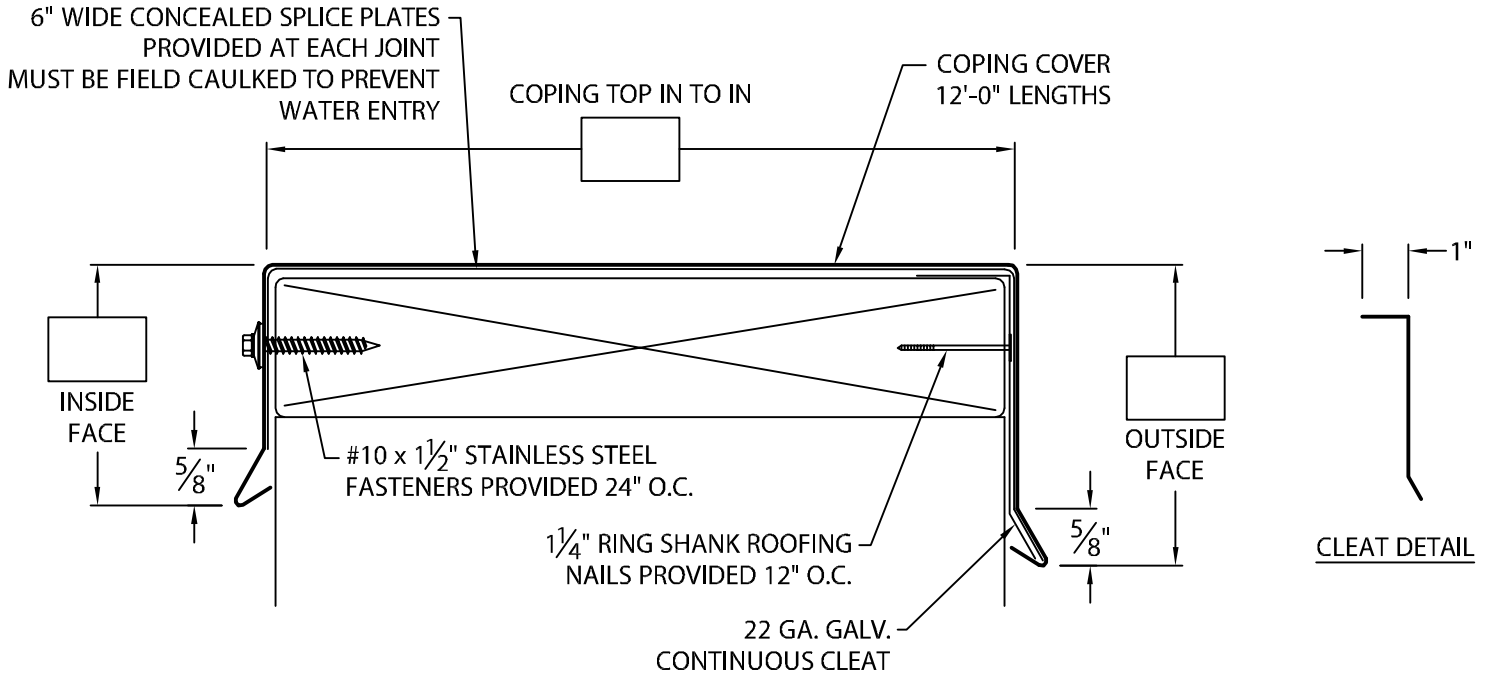


SECUREDGE ONE COPING

FLAT VERSION

ANSI/SPRI ES-1 DESIGN PRESSURE OF 160 psf FOR GALV. STEEL MATERIAL - 200 psf FOR ALUMINUM MATERIAL



-- CONCEALED SPLICE PLATES MUST BE FIELD CAULKED TO PREVENT WATER ENTRY.

-- WELDED ACCESSORIES REQUIRE A MIN. MATERIAL THICKNESS OF .050"

Fabrication will proceed only after receipt of signed print approval.

Print Approval:

Architect and/or contractor shall verify all dimensions, sizes and quantities. All products to be installed in strict accordance with Carlisle SynTec, Inc.'s printed instructions.

Approved by: _____

Date: _____

MATERIAL:

___ 24 GA. GALVANIZED STEEL

___ .040" ALUMINUM

___ .050" ALUMINUM

___ .063" ALUMINUM

___ OTHER _____

COLOR: _____

FINISH: _____

QUANTITIES:

_____ LINEAL FEET 12'-0" LENGTHS

_____ OUTSIDE MITERS @ 90°

_____ INSIDE MITERS @ 90°

_____ RIGHT ENDCAPS

_____ LEFT ENDCAPS

SPECIFY ACCESSORY TYPE:

WELDED

QUICKLOCK

FOR NON-90° MITERS SEE PRINT APPROVAL #15011-1677

PROJECT:

ARCHITECT:

ROOFING CONTRACTOR:

REPRESENTATIVE/DISTRIBUTOR:

Customer Service
866-458-3537
(Metal-Era)



DATE: 04/26/17

DRN BY: JJC

CKD BY: SAK

SHT.# ___ OF ___

DWG# 15011-10777

D