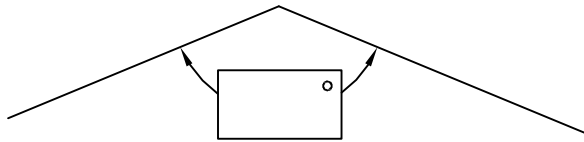


NON 90° GUTTER MITERS

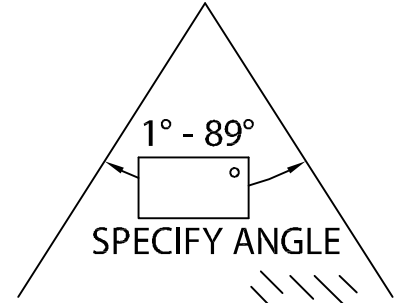
OUTSIDE MITER - OBTUSE



SPECIFY ANGLE 91° - 179°

- Standard Leg Lengths
 Custom Leg Lengths _____ Qty _____

OUTSIDE MITER - ACUTE

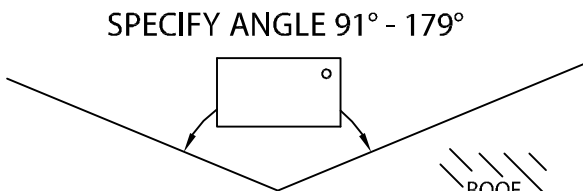


1° - 89°

SPECIFY ANGLE

- Standard Leg Lengths
 Custom Leg Lengths _____ Qty _____

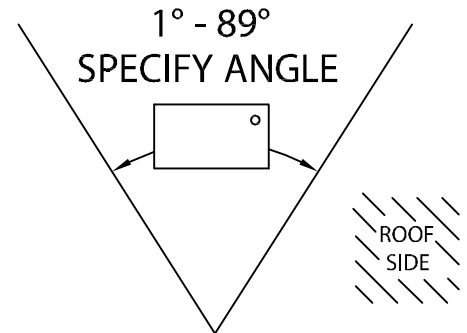
INSIDE MITER - OBTUSE



SPECIFY ANGLE 91° - 179°

- Standard Leg Lengths
 Custom Leg Lengths _____ Qty _____

INSIDE MITER - ACUTE



1° - 89°

SPECIFY ANGLE

- Standard Leg Lengths
 Custom Leg Lengths _____ Qty _____

Fabrication will proceed only after receipt of signed print approval.

Print Approval:

Architect and/or contractor shall verify all dimensions, sizes and quantities. All products to be installed in strict accordance with Johns Manville's printed instructions.

Approved by: _____

Date: _____

MATERIAL:

- ___ 24 Ga. (.65 mm) Steel
 ___ .040" (1.01 mm) Alum. Color: _____
 ___ .050" (1.27 mm) Alum.
 ___ .063" (1.60 mm) Alum. Finish: _____
 ___ Other _____

PROJECT:

ARCHITECT:

ROOFING CONTRACTOR:

REPRESENTATIVE/DISTRIBUTOR:

51 Lexington Street; Lewiston, ME 04240
 CUSTOMER SERVICE: 800-223-8317 USA
 800-445-1500 Canada
 TECHNICAL SERVICE: 800-445-1500 USA & Canada
 FAX: 207-784-0125
 OTHER AREAS CALL: 207-784-0123

JM Johns Manville

DATE: 02/17/16

DRN BY: JJC

CKD BY: SAK

SHT.# ___ OF ___

DWG# 16012-20314

B