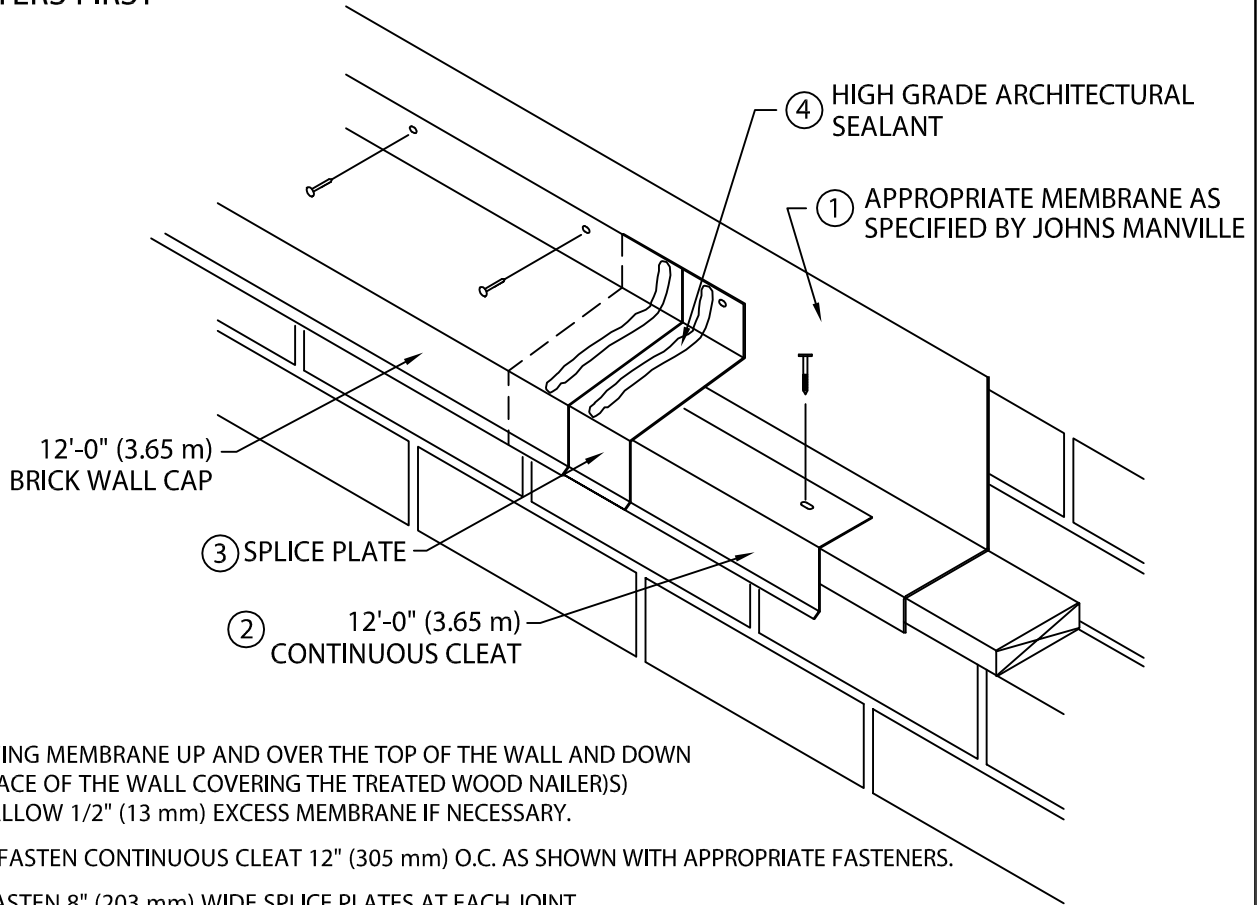


PRESTO-LOCK / TITE BRICK / WALL CAP

INSTALLATION INSTRUCTIONS

NOTE: INSTALL MITERS FIRST

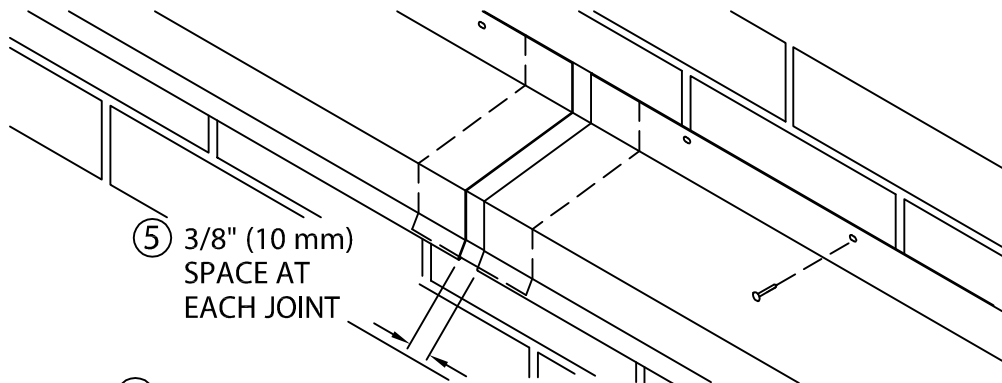


STEP ① - POSITION ROOFING MEMBRANE UP AND OVER THE TOP OF THE WALL AND DOWN THE OUTSIDE FACE OF THE WALL COVERING THE TREATED WOOD NAILER(S) COMPLETELY. ALLOW 1/2" (13 mm) EXCESS MEMBRANE IF NECESSARY.

STEP ② - POSITION AND FASTEN CONTINUOUS CLEAT 12" (305 mm) O.C. AS SHOWN WITH APPROPRIATE FASTENERS.

STEP ③ - LOCATE AND FASTEN 8" (203 mm) WIDE SPLICE PLATES AT EACH JOINT.

STEP ④ - APPLY BEADS OF HIGH GRADE ARCHITECTURAL SEALANT (BY OTHERS) TO SPLICE PLATES AS SHOWN.



STEP ⑤ - HOOK DRIP EDGE OF EACH BRICK/WALL CAP ONTO CONTINUOUS CLEAT, ROTATE INTO PLACE, AND FASTEN WITH APPROPRIATE FASTENERS. CONTINUE BY INSTALLING BRICK / WALL CAP SECTIONS AND SPLICE PLATES, ALLOWING A 3/8" (10 mm) SPACE AS SHOWN. FIELD CUT AS NECESSARY.

CAUTION: REMOVE PROTECTIVE FILM IMMEDIATELY AFTER INSTALLATION. INSTALLERS SHALL WEAR PROTECTIVE EYEWEAR TO PREVENT INJURY.

TYPICAL INSTALLATION

