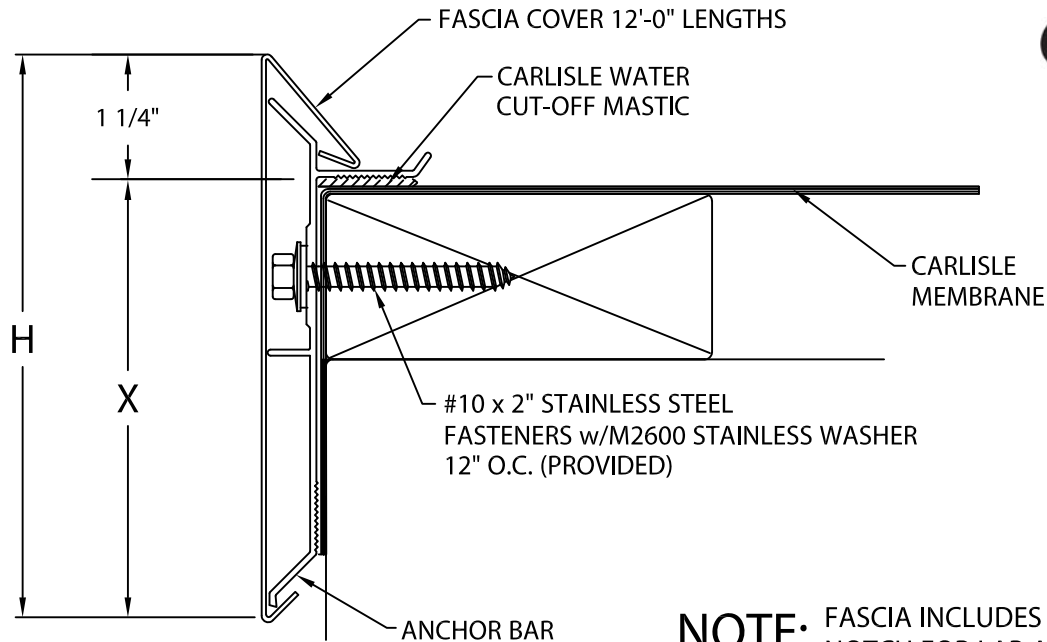




SECUREDGE 2000 FASCIA

FULLY ADHERED OR MECHANICALLY ATTACHED SINGLE-PLY VERSION

ANSI/SPRI ES-1 DESIGN PRESSURE OF 275 psf



NOTE: FASCIA INCLUDES 1" NOTCH FOR LAP AT ALL JOINTS.

Fascia is to be installed per Specifications and Carlisle's Installation Instructions Dwg. # 15110-1597

SECUREDGE 2000 FASCIA DIMENSIONS

PRODUCT ID. NO.	H DIM	X DIM	NAILER COVERAGE
<input type="checkbox"/> 2040	4"	2 3/4"	1 NAILER
<input type="checkbox"/> 2055	5 1/2"	4 1/4"	2 NAILERS
<input type="checkbox"/> 2070	7"	5 3/4"	3 NAILERS
<input type="checkbox"/> 2085	8 1/2"	7 1/4"	4 NAILERS

MATERIAL:

___ 24 Ga. Galv. Steel
 ___ .040" Aluminum
 ___ OTHER _____

Color: _____

Finish: _____

Fabrication will proceed only after receipt of signed print approval.

Print Approval:

Architect and/or contractor shall verify all dimensions, sizes and quantities. All products to be installed in strict accordance with Carlisle SynTec, Inc.'s printed instructions.

Approved by: _____

Date: _____

QUANTITIES:

_____ Lineal Feet (12'-0" Lengths)
 _____ Outside Miters @ 90°
 _____ Inside Miters @ 90°
 _____ Overflow Scupper Style ___A___B
 _____ Spillout Scupper Style ___A___B
 _____ Downspout Scupper Style ___A___B
 (___X___) Size A: Tapered 1 1/2" Drop
 B: Flat

FOR NON-90 MITERS SEE PRINT APPROVAL #15010-1625

PROJECT: _____

ARCHITECT: _____

ROOFING CONTRACTOR: _____

REPRESENTATIVE/DISTRIBUTOR: _____

Customer Service
866-458-3537
(Metal-Era)



DATE: 03/20/17
 DRN BY: JAB
 CKD BY: SAK

SHT.# ___ OF ___
 DWG# 15010-1596 **H**