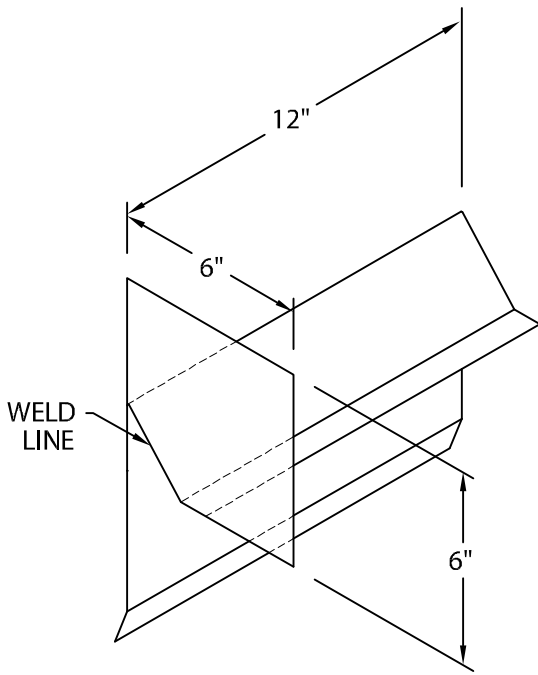


SECUREDGE SYSTEM 200 FASCIA

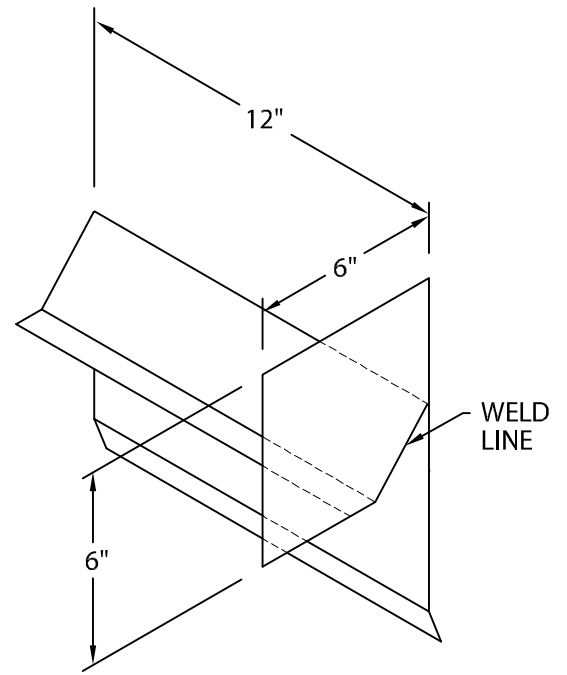
SNAP-ON VERSION

TYPICAL FASCIA ENDCAPS AND ENDWALL FLASHING

ENDWALL FLASHING



LEFT ENDWALL

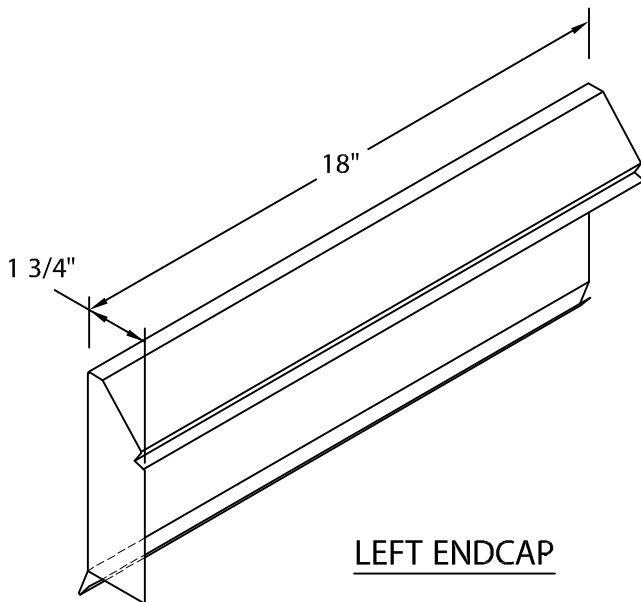


RIGHT ENDWALL

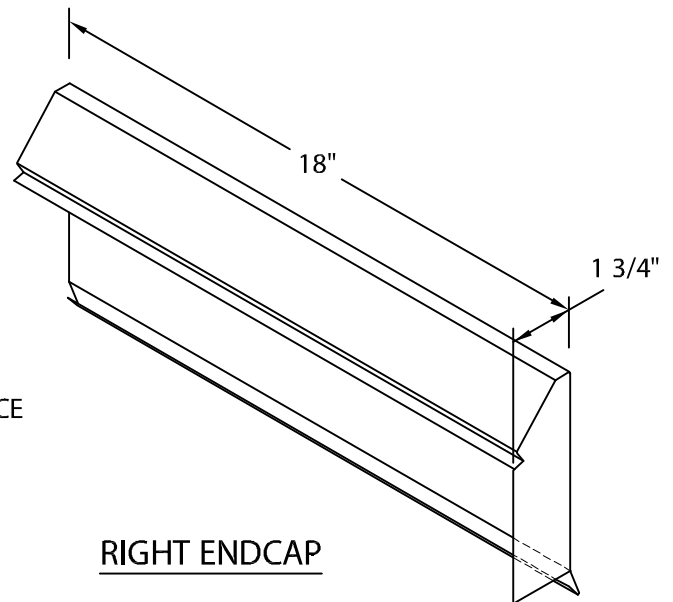
MATERIAL: .050 MILL FINISH

DIRECTION IS DETERMINED AS SEEN FROM ROOF SIDE

FASCIA ENDCAPS



LEFT ENDCAP



RIGHT ENDCAP

FASCIA COVER
INCLUDES SPLICE
PLATES

MATERIAL: SAME AS FASCIA COVER

DIRECTION IS DETERMINED AS SEEN FROM ROOF SIDE