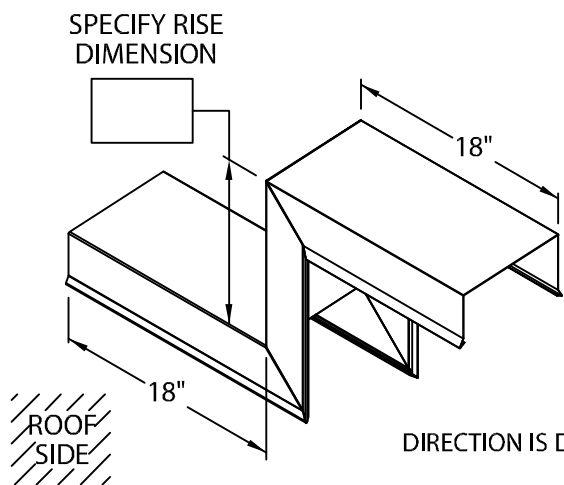
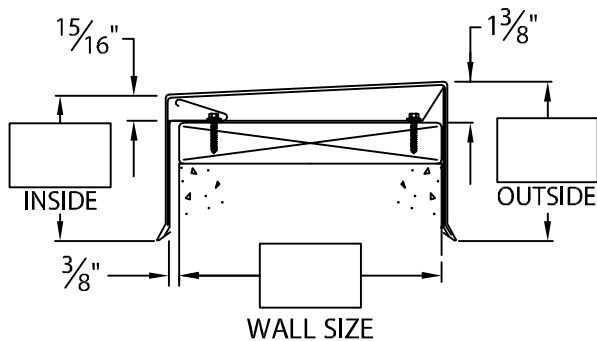
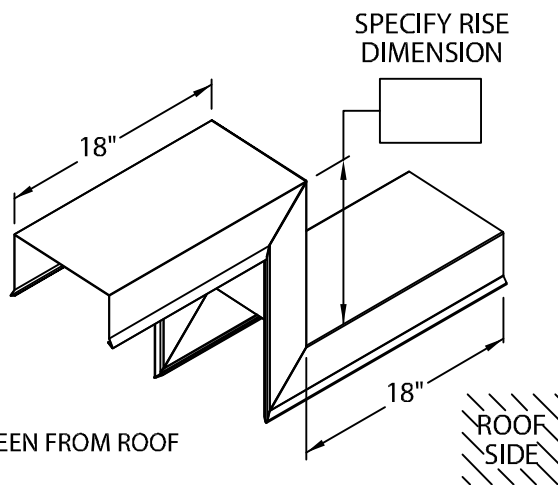


STEP-UP COPING MITERS



LEFT HAND STEP-UP MITER



RIGHT HAND STEP-UP MITER

DIRECTION IS DETERMINED AS SEEN FROM ROOF

FOR CUSTOM LEG LENGTHS MODIFY DRAWINGS ABOVE

NOTES:

- ① WELDED ACCESSORIES REQUIRE A MINIMUM MATERIAL THICKNESS OF .050".

MATERIAL:

- ___ 24 GA. GALVANIZED STEEL
 - ___ 22 GA. GALVANIZED STEEL
 - ___ .040" ALUMINUM
 - ___ .050" ALUMINUM
 - ___ .063" ALUMINUM
 - ___ OTHER _____
- COLOR: _____
- FINISH: _____

QUANTITIES:

- ___ RIGHT HAND STEP-UP MITER
- ___ LEFT HAND STEP-UP MITER

SPECIFY ACCESSORY TYPE:

- WELDED ①
- QUICKLOCK

AUTHORIZED SIGNATURE: _____

APPROVED BY: _____

DATE: _____

PROJECT: _____

ARCHITECT: _____

ROOFING CONTRACTOR: _____

REPRESENTATIVE/DISTRIBUTOR: _____

Customer Service
866-458-3537
(Metal-Era)



DATE: 03/17/17

DRN BY: JJC

CKD BY: SAK

SHT.# ____ OF ____

DWG# 15011-12316

