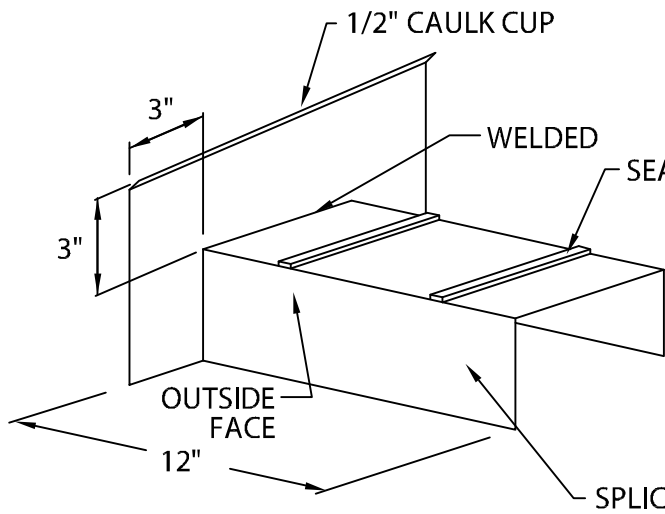
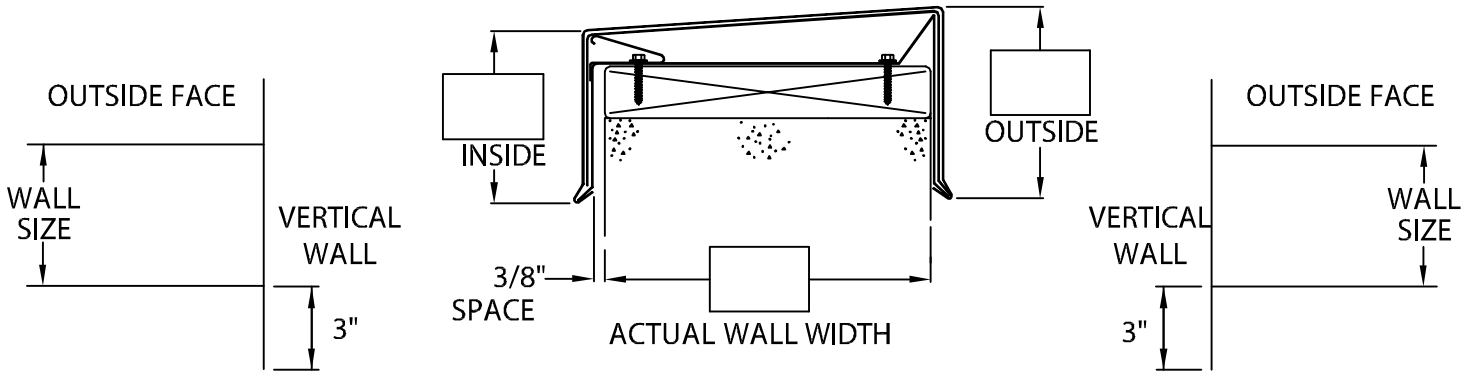
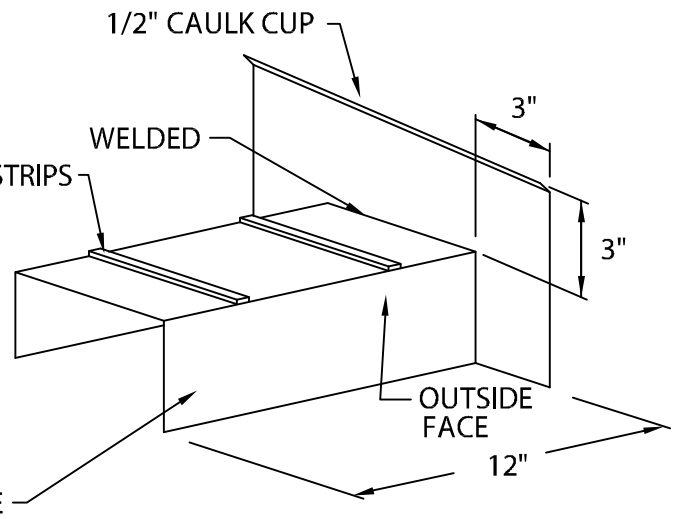


PERMA-TITE ENDWALL FLASHING

SPLICE PLATE VERSION



RIGHT END



LEFT END

DIRECTION IS DETERMINED AS SEEN FROM ROOF SIDE

MATERIAL: COLOR: _____
 .040" ALUMINUM FINISH: _____

QUANTITIES:
 _____ RIGHT END FLASHING
 _____ LEFT END FLASHING

AUTHORIZED SIGNATURE:
 APPROVED BY: _____
 DATE: _____

PROJECT:
 ARCHITECT:
 ROOFING CONTRACTOR:
 REPRESENTATIVE/DISTRIBUTOR:

51 LEXINGTON STREET; LEWISTON, ME 04240
 CUSTOMER SERVICE: 800-223-8317 USA
 800-445-1500 CANADA
 TECHNICAL SERVICE: 800-445-1500 USA & CANADA
 FAX: 207-784-0125
 OTHER AREAS CALL: 207-784-0123



DATE: 03/03/14 SHT.# ____ OF ____
 DRN BY: JJC
 CKD BY: SAK DWG# 16011-6964 **C**