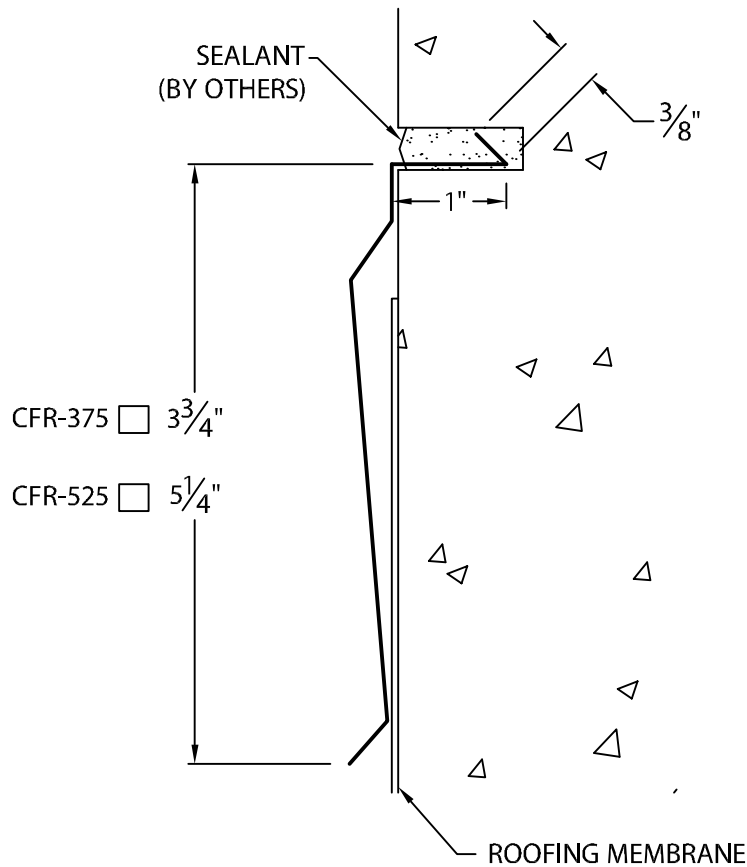


COUNTER-FLASH 1 PC COUNTERFLASHING

REGLET VERSION



NOTE: PRE-NOTCHED LAP JOINTS 3"

Fabrication will proceed only after receipt of signed print approval.

Print Approval:

Architect and/or contractor shall verify all dimensions, sizes and quantities. All products to be installed in strict accordance with Metal-Era's printed instructions.

Approved by: _____

Date: _____

MATERIAL:

___ 24 GA. GALVANIZED STEEL

___ .040" ALUMINUM COLOR: _____

___ .050" ALUMINUM

___ .063" ALUMINUM FINISH: _____

___ OTHER _____

QUANTITIES:

_____ LINEAL FEET 12'-0" LENGTHS

PROJECT:

ARCHITECT:

ROOFING CONTRACTOR:

REPRESENTATIVE/DISTRIBUTOR:

Corporate Offices, Manufacturing
1600 Airport Road; Waukesha, WI 53188
Phone: 800-558-2162
Fax: 800-373-9156
www.metalera.com



DATE: 12/07/16

DRN BY: JJC

CKD BY: SAK

SHT.# ____ OF ____

DWG# 11015-1317

B