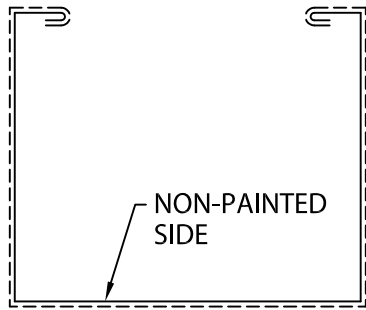
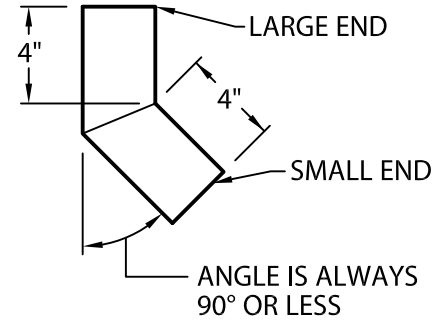
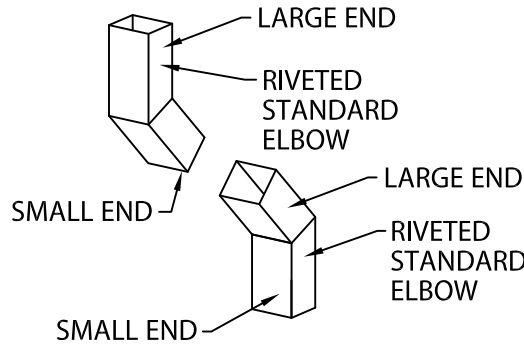


INDUSTRIAL DOWNSPOUT

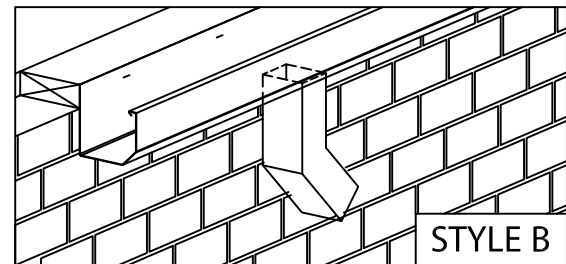
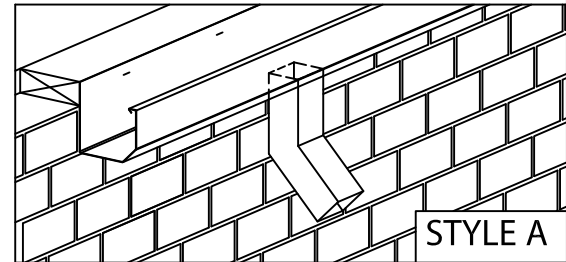
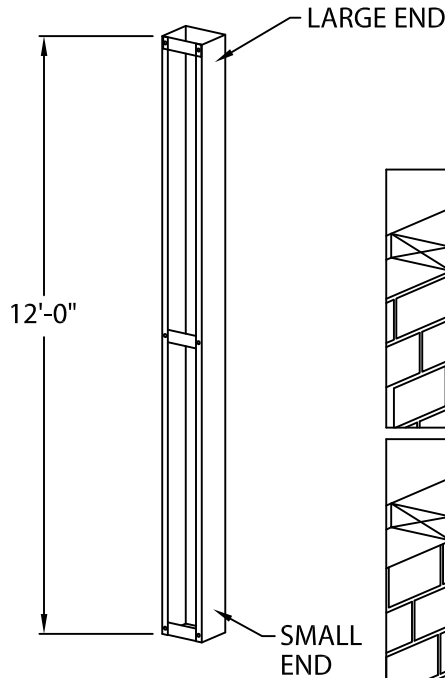
OPEN FACE VERSION



----- = PAINTED



STANDARD ELBOW

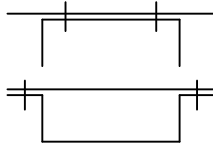


DOWNSPOUT STRAPS

(SELECT STYLE BELOW, IF STYLE IS NOT SELECTED STYLE 2 WILL BE PROVIDED)

STYLE 1

STYLE 2



Fabrication will proceed only after receipt of signed print approval.

Print Approval:

Architect and/or contractor shall verify all dimensions, sizes and quantities. All products to be installed in strict accordance with FiberTite's printed instructions.

Approved by: _____

Date: _____

MATERIAL:

__ 24 Ga. Steel

__ .040" Alum.

__ .050" Alum.

__ .063" Alum.

__ Other : _____

Color: _____ Finish: _____

QUANTITIES:

_____ Lineal Feet 12'-0" Size _____" x _____"

_____ Outlets

_____ Standard Elbows (_____°) STYLE: A __ B __

_____ Standard Elbows (_____°) STYLE: A __ B __

PROJECT:

ARCHITECT:

ROOFING CONTRACTOR:

REPRESENTATIVE/DISTRIBUTOR:

Customer Service

1-800-355-6416



DATE: 04/26/17

DRN BY: JAB

CKD BY: SAK

SHT.# _____ OF _____

DWG# 23013-4214

F