



SECUREEDGE SYSTEM 200 RADIUS FASCIA

SINGLE-PLY APPLICATION, SNAP-ON VERSION

IMPORTANT! MUST INDICATE PROPER RADIUS CONDITION BY CIRCLING APPROPRIATE OUTSIDE FACE

PROVIDING A RADIUS
THE RADIUS MAY BE PROVIDED
IN ONE OF TWO METHODS:

1.) THE ACTUAL KNOWN RADIUS IS

_____ ' FEET _____ " INCHES

MINIMUM OF 13'-0"
(CALL IF LESS)

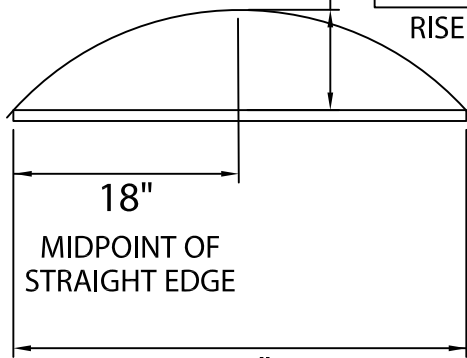
OR

2.) FIELD CONDITION MEASUREMENTS

NOTE: REFER TO ATTACHED WORKSHEET
FOR FURTHER INFORMATION

_____ " INCHES

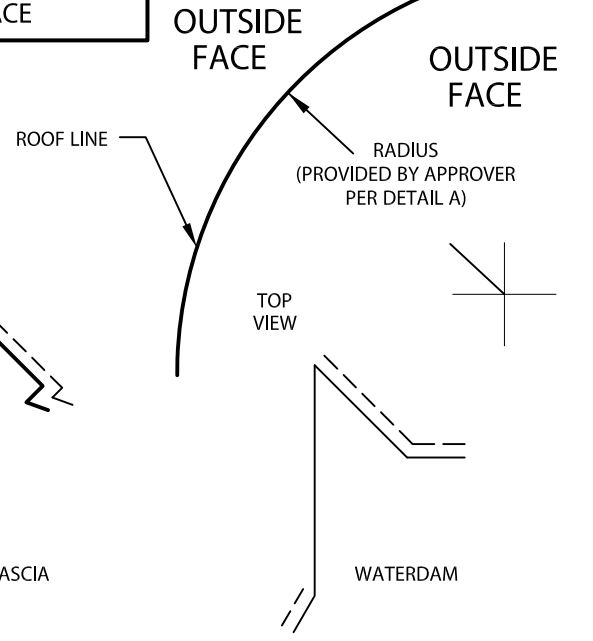
RISE MAXIMUM OF 1 1/32"
(CALL IF MORE)



36"
LENGTH OF
STRAIGHT EDGE

NOTE: CHECK MEASUREMENTS ALONG ENTIRE RADIUS.

DETAIL A



--- INDICATES AREAS THAT WILL BE SLIT AS
NEEDED TO ACCOMMODATE RADIUS

SECUREEDGE SYSTEM 200 RADIUS FASCIA DIMENSIONS

PRODUCT ID. NO.	H DIM	X DIM	NAILER COVERAGE
<input type="checkbox"/> FA-50	5 1/4"	2 7/8"	1 NAILER
<input type="checkbox"/> FA-65	6 3/4"	4 3/8"	2 NAILERS
<input type="checkbox"/> FA-80	8 1/4"	5 7/8"	3 NAILERS
<input type="checkbox"/> FA-95	9 3/4"	7 3/8"	4 NAILERS
<input type="checkbox"/> FA-110	11 1/4"	8 7/8"	5 NAILERS
<input type="checkbox"/> FA-125	12 3/4"	10 3/8"	6 NAILERS

Fabrication will proceed only after receipt of signed print approval.

Print Approval:

Architect and/or contractor shall verify all dimensions, sizes and quantities. All products to be installed in strict accordance with Carlisle SynTec, Inc.'s printed instructions.

Approved by: _____

Date: _____

MATERIAL:

_____ 24 GA. GALV. STEEL*
 OIL CANING CAN OCCUR ON LARGER FACE HEIGHTS. RECOMMEND _____ .040" ALUMINUM
 _____ .050" ALUMINUM
 _____ .063" ALUMINUM
 _____ OTHER: _____

COLOR: _____

FINISH: _____

QUANTITIES:

_____ LINEAL FEET 12'-0" LENGTHS

PROJECT:

ARCHITECT:

ROOFING CONTRACTOR:

REPRESENTATIVE/DISTRIBUTOR:

Customer Service
866-458-3537
(Metal-Era)



DATE: 03/04/19

DRN BY: ZS

CKD BY: SAK

SHT.# ____ OF ____

DWG# 15010-11481

F