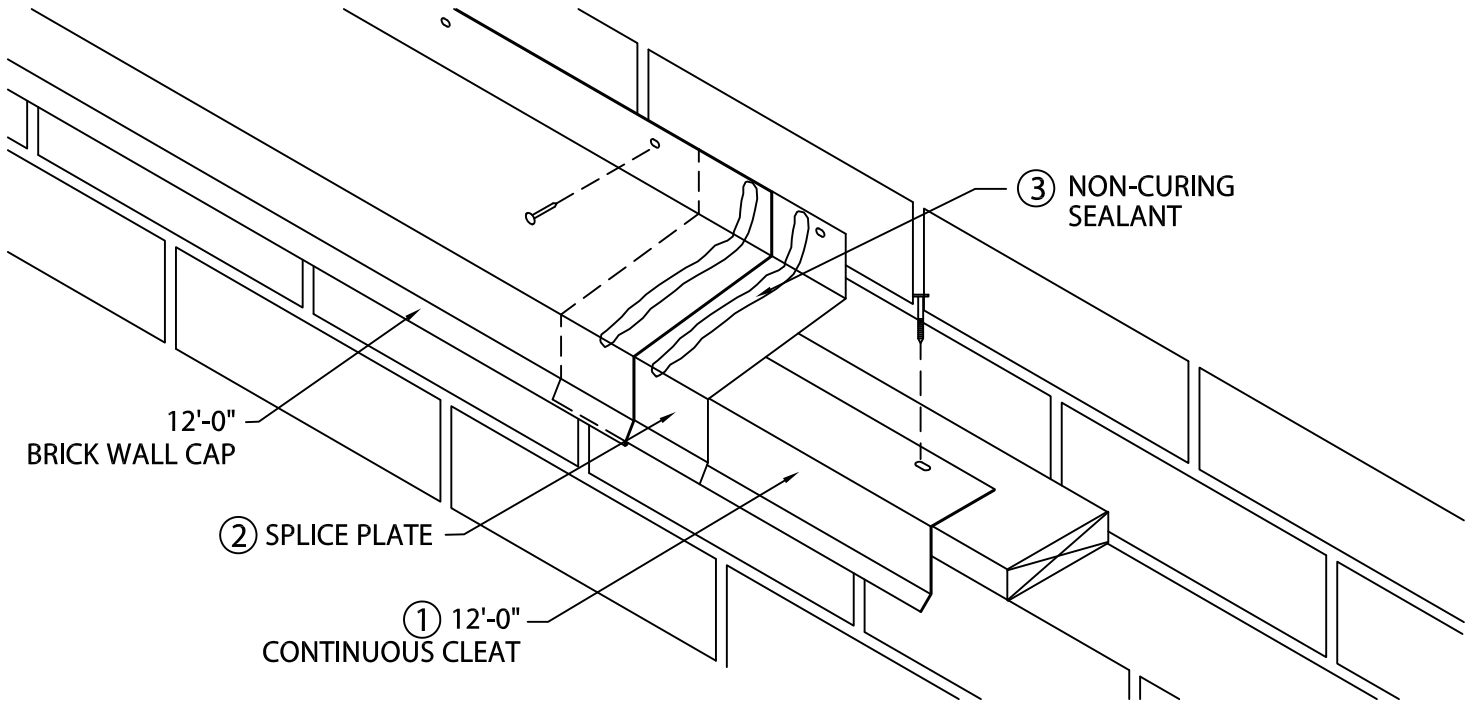


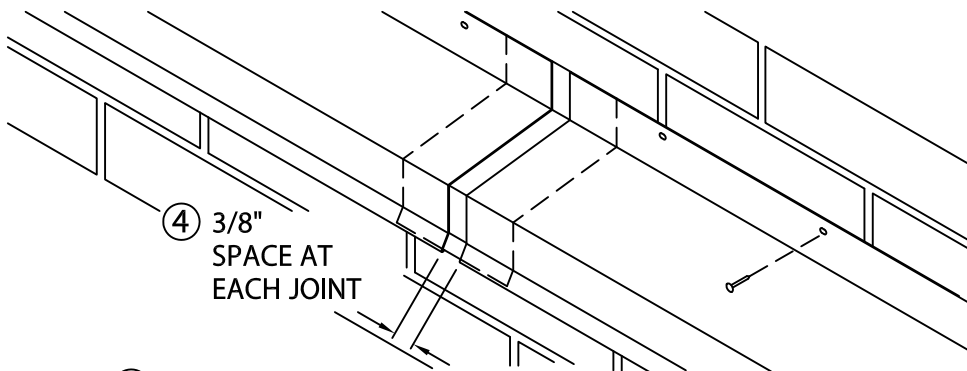
# BRICK-WALL CAP

## INSTALLATION INSTRUCTIONS

NOTE : INSTALL MITERS FIRST



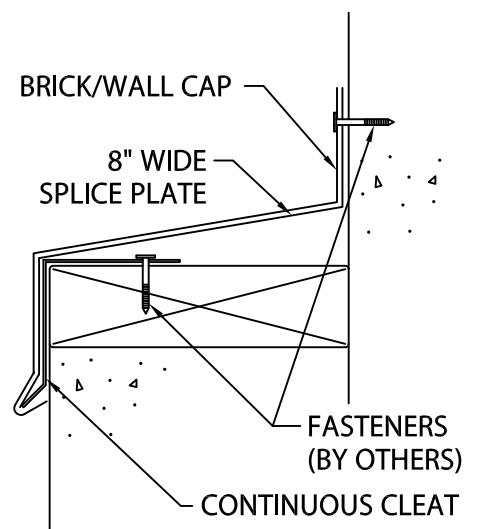
- STEP ① - POSITION AND FASTEN CONTINUOUS CLEAT 12" O.C. AS SHOWN WITH APPROPRIATE FASTENERS.
- STEP ② - LOCATE AND FASTEN 8" WIDE SPLICE PLATES AT EACH JOINT.
- STEP ③ - APPLY BEADS OF NON-CURING SEALANT (BY OTHERS) TO SPLICE PLATES AS SHOWN.



- STEP ④ - HOOK DRIP EDGE OF EACH BRICK/WALL CAP ONTO CONTINUOUS CLEAT, ROTATE INTO PLACE, AND FASTEN WITH APPROPRIATE FASTENERS. CONTINUE BY INSTALLING BRICK/WALL CAP SECTIONS AND SPLICE PLATES, ALLOWING A 3/8" SPACE AS SHOWN. FIELD CUT AS NECESSARY.

**CAUTION:** REMOVE PROTECTIVE FILM IMMEDIATELY AFTER INSTALLATION. INSTALLERS SHALL WEAR PROTECTIVE EYEWEAR TO PREVENT INJURY.

### TYPICAL INSTALLATION



ELEVATE  
26 CENTURY BLVD.  
SUITE 205  
NASHVILLE, TN 37214  
CONTACT YOUR LOCAL ELEVATE REPRESENTATIVE

DATE: 07/12/23  
DRN BY: MLM  
CKD BY: MM

SHT.# \_\_\_ OF \_\_\_  
DWG# 13114-9278

D