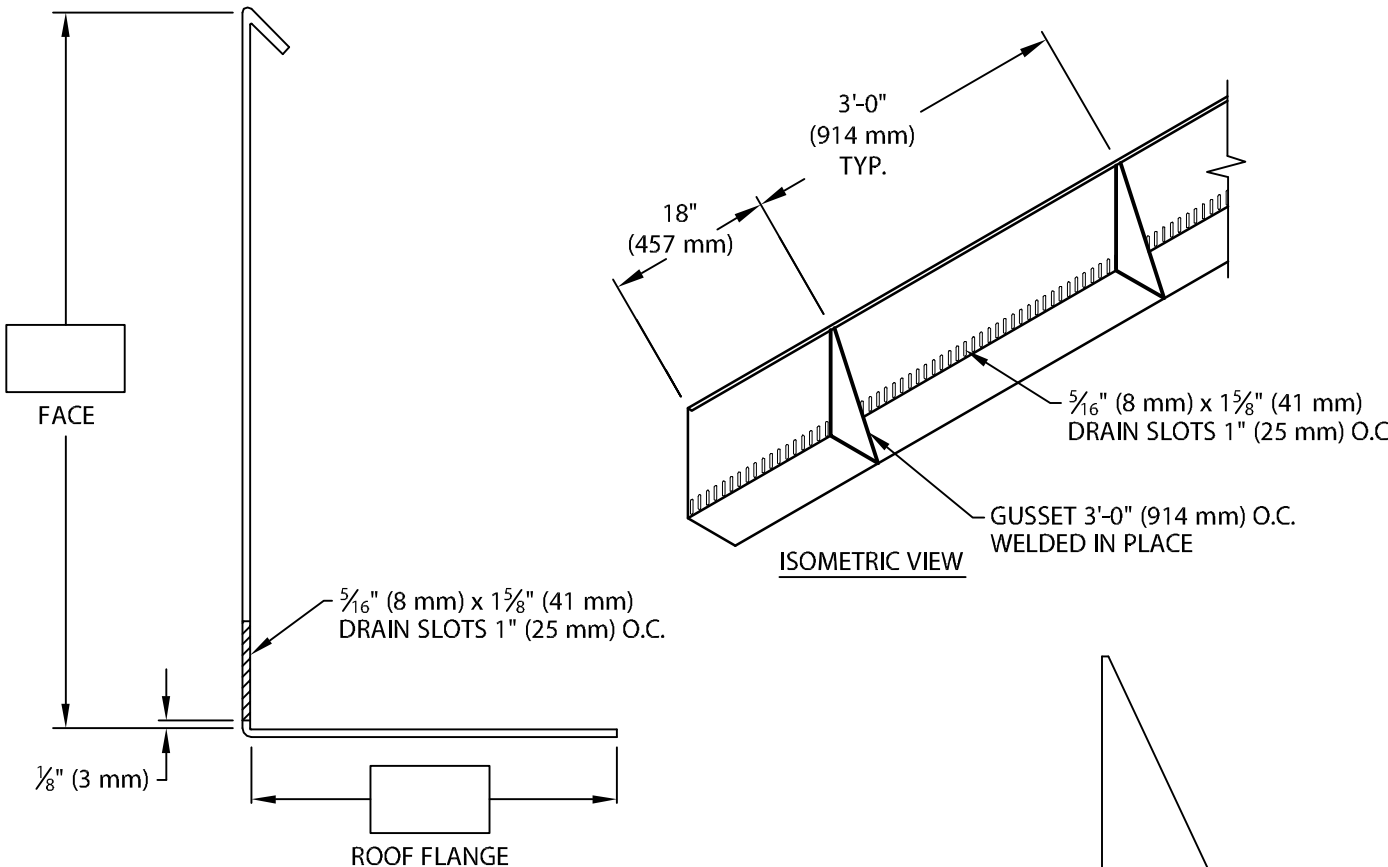


CARLISLE DRAIN BAR

OVER 6" FACE HEIGHT VERSION



NOTE:
INCLUDES 3 1/2" (89 mm) WIDE CONCEALED SPLICE PLATE AT EACH JOINT.

GUSSET LOCATED 3'-0" (914 mm) O.C. WELDED IN PLACE

Fabrication will proceed only after receipt of signed print approval.

Print Approval:

Architect and/or contractor shall verify all dimensions, sizes and quantities. All products to be installed in strict accordance with Carlisle SynTec, Inc.'s printed instructions.

Approved by: _____
Date: _____

MATERIAL:

- ___ .080" (2.03 mm) Mill Finish Alum.
- ___ .125" (3.18 mm) Mill Finish Alum.

QUANTITIES:

_____ Lineal Feet 12'-0" (3.65 m) Lengths

PROJECT:	Customer Service 866-458-3537 (Metal-Era)
ARCHITECT:	
ROOFING CONTRACTOR:	
REPRESENTATIVE/DISTRIBUTOR:	



DATE: 01/12/12	SHT.# ___ OF ___	
DRN BY: JJC		
CKD BY: SAK	DWG# 15030-14833	A