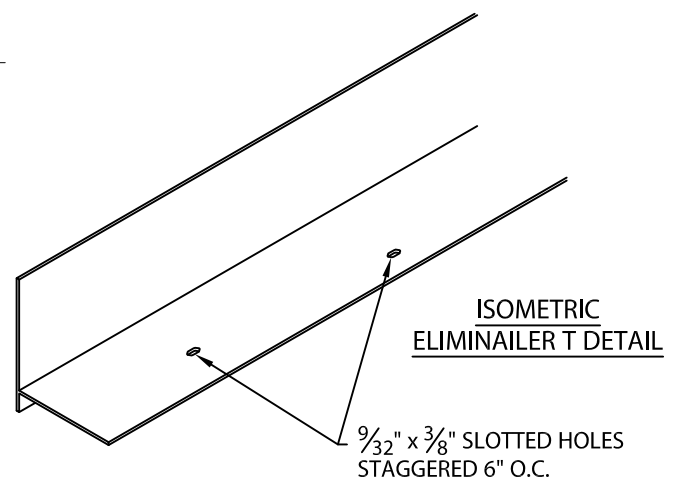
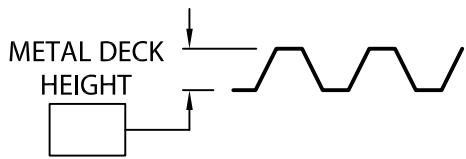
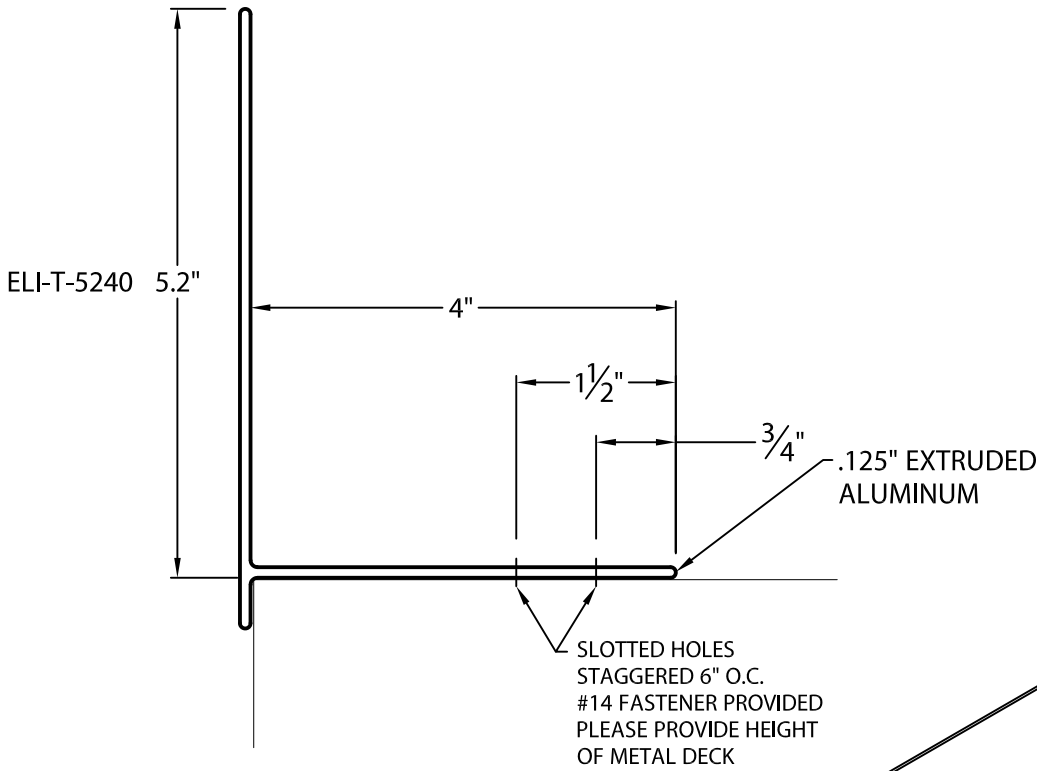


ELIMINAILER®-T

FOR USE WITH METAL DECK, 5.2", 4" FLANGE VERSION

U.S. PATENT # 9,878,023 B1



Fabrication will proceed only after receipt of signed print approval.

Print Approval:

Architect and/or contractor shall verify all dimensions, sizes and quantities. All products to be installed in strict accordance with Metal-Era's printed instructions.

Approved by: _____
Date: _____

NOTE: FASTENERS PROVIDED WILL BE METAL DECK HEIGHT PLUS 1" MINIMUM. THE SUBSTRATE THE FASTENERS ARE ATTACHING TO MUST BE 22 GA. OR GREATER.

QUANTITIES:

_____ LINEAL FEET 12'-0" LENGTHS

PROJECT:	Corporate Offices, Manufacturing 1600 Airport Road; Waukesha, WI 53188 Phone: 800-558-2162 Fax: 800-373-9156 www.metalera.com
ARCHITECT:	
ROOFING CONTRACTOR:	
REPRESENTATIVE/DISTRIBUTOR:	



DATE: 04/12/19	SHT.# _____ OF _____
DRN BY: ZS	DWG# 11018-29393
CKD BY: SAK	