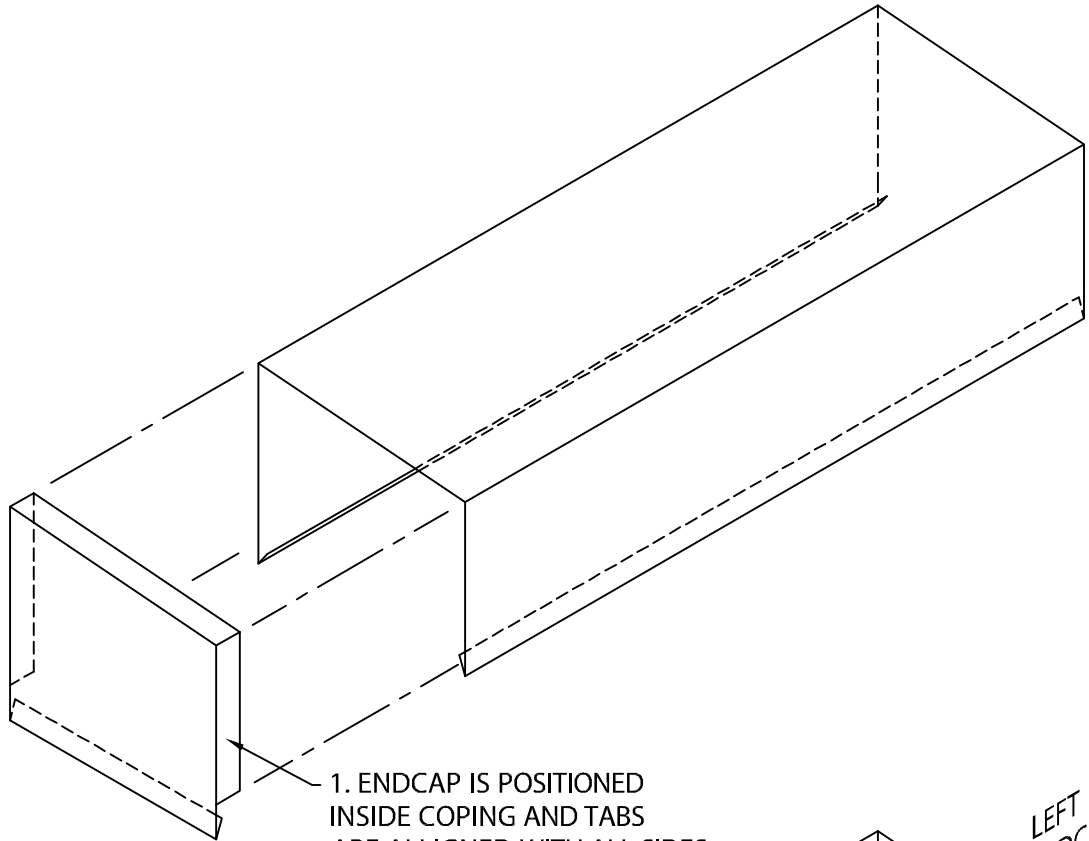


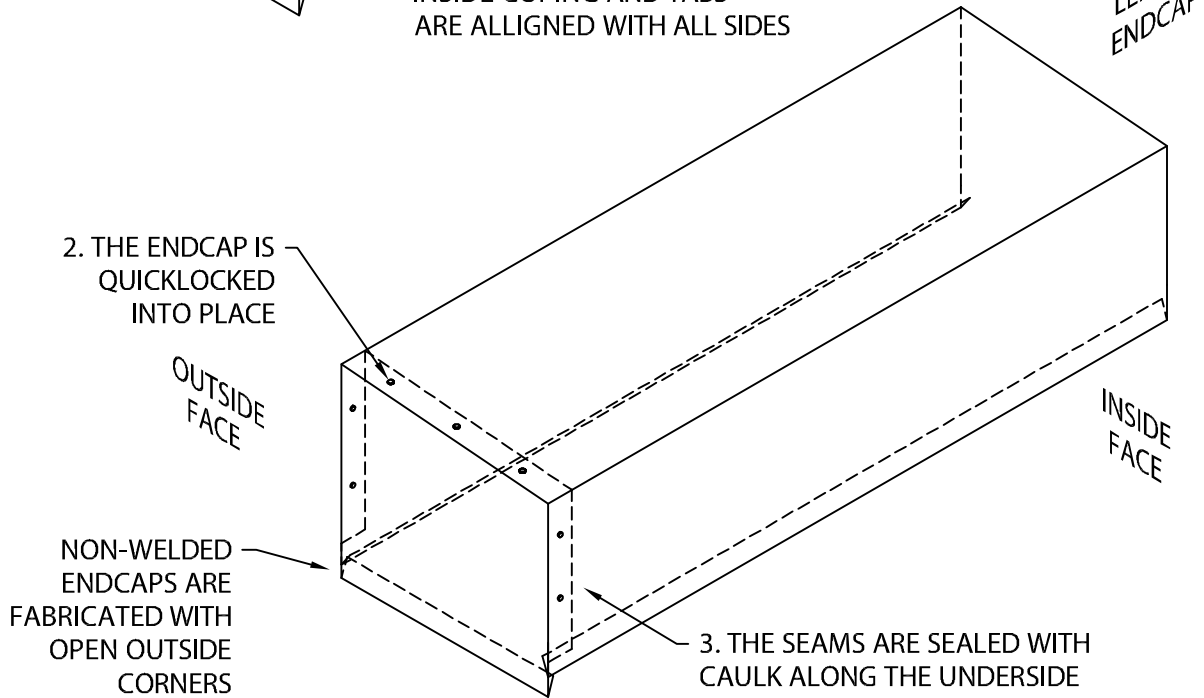
PERMA-TITE GOLD COPING ENDCAPS

QUICKLOCK ENDCAP ASSEMBLY

STANDARD ENDCAP LENGTH IS 18"



1. ENDCAP IS POSITIONED
INSIDE COPING AND TABS
ARE ALIGNED WITH ALL SIDES



2. THE ENDCAP IS
QUICKLOCKED
INTO PLACE

OUTSIDE
FACE

NON-WELDED
ENDCAPS ARE
FABRICATED WITH
OPEN OUTSIDE
CORNERS

3. THE SEAMS ARE SEALED WITH
CAULK ALONG THE UNDERSIDE

INSIDE
FACE

LEFT
ENDCAP



Phone: 800-558-2162
Fax: 800-373-9156
www.metalera.com

DATE: 03/06/13
DRN BY: JJC
CKD BY: SAK

SHT.# ___ OF ___

DWG# 11511-17399

A