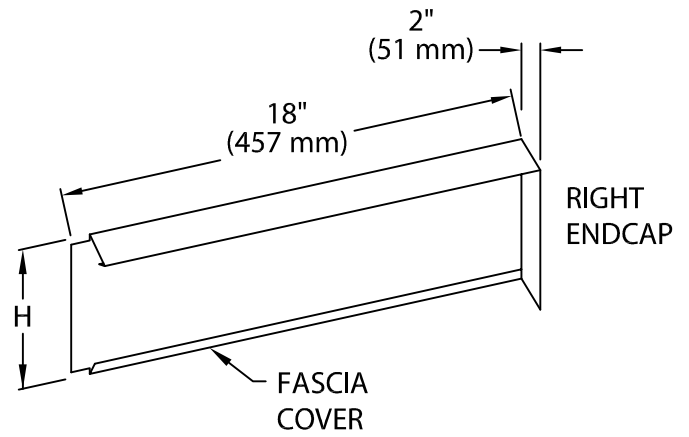
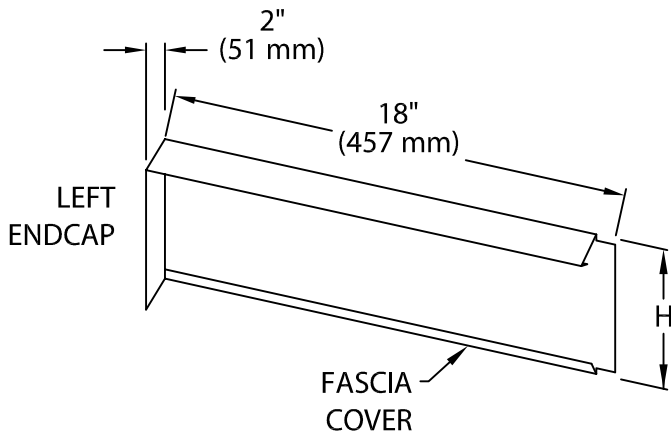


ANCHOR-TITE STANDARD FASCIA ENDCAPS

FULLY ADHERED OR MECHANICALLY ATTACHED SINGLE-PLY VERSION



ANCHOR-TITE FASCIA DIMENSIONS

PRODUCT ID. NO.	H DIM
<input type="checkbox"/> AF-40	4" (102 mm)
<input type="checkbox"/> AF-55	5 1/2" (140 mm)
<input type="checkbox"/> AF-70	7" (178 mm)
<input type="checkbox"/> AF-85	8 1/2" (216 mm)

Fabrication will proceed only after receipt of signed print approval.

Print Approval:

Architect and/or contractor shall verify all dimensions, sizes and quantities. All products to be installed in strict accordance with Metal-Era's printed instructions.

Approved by: _____

Date: _____

MATERIAL:

- ___ 24 Ga. (.65 mm) Galv. Steel
- ___ .040" (1.01 mm) Aluminum
- ___ OTHER _____

Color: _____

Finish: _____

QUANTITIES:

___ Right Endcap(s)

___ Left Endcap(s)

PROJECT:

ARCHITECT:

ROOFING CONTRACTOR:

REPRESENTATIVE/DISTRIBUTOR:

Corporate Offices, Manufacturing
1600 Airport Road; Waukesha, WI 53188
Phone: 800-558-2162
Fax: 800-373-9156
www.metalera.com



DATE: 05/07/10

DRN BY: JJC

CKD BY: SAK

SHT.# ___ OF ___

DWG# 11010-5529

B