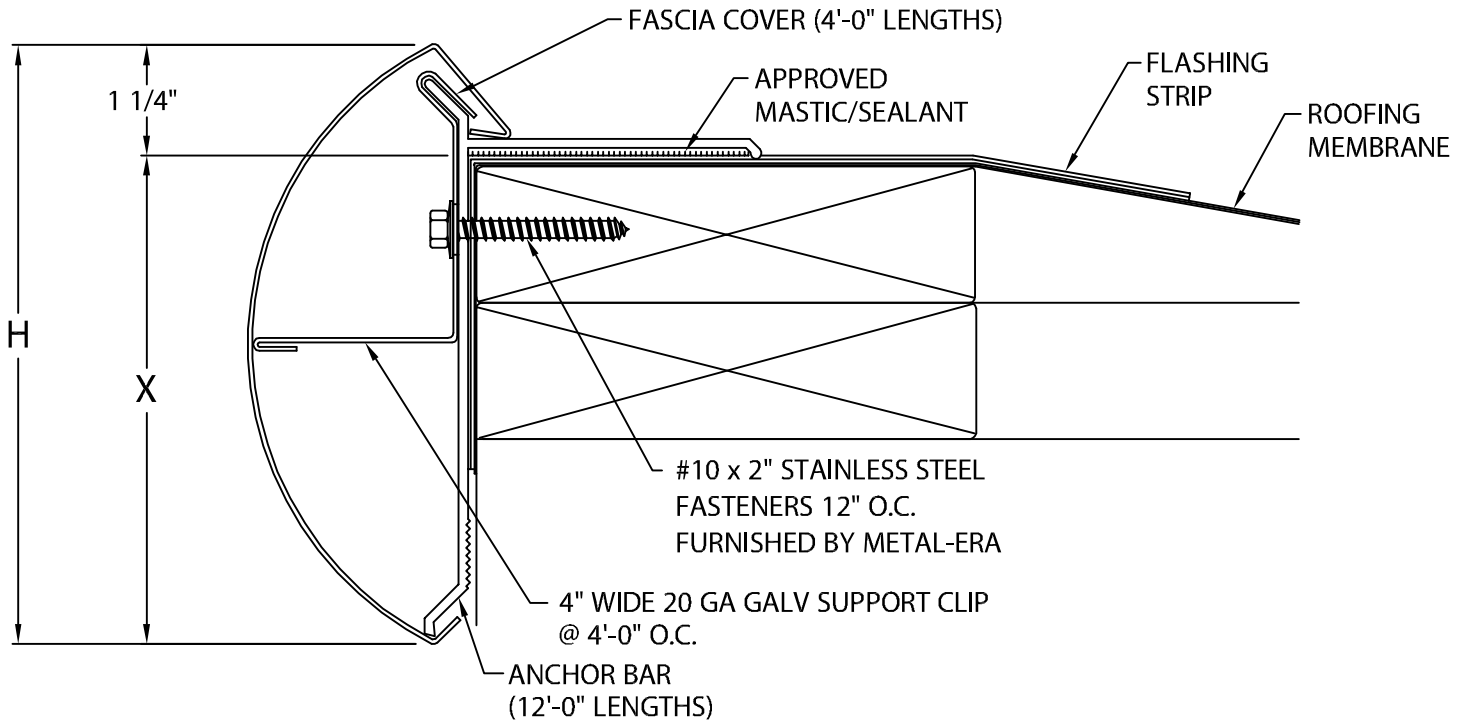




DESIGNER BULLNOSE FASCIA

BUILT-UP OR MODIFIED VERSION

ANSI/SPRI ES-1 DESIGN PRESSURE OF 290 psf



NOTE: HOLES PRE-PUNCHED 1" DOWN CENTERED IN FIRST NAILER

DESIGNER BULLNOSE FASCIA DIMENSIONS

PRODUCT IDENT. NO.	H DIM	X DIM	NAILER COVERAGE
<input type="checkbox"/> BAFM-55	5 1/2"	4 1/4	1 NAILER
<input type="checkbox"/> BAFM-70	7"	5 3/4	2 NAILERS
<input type="checkbox"/> BAFM-85	8 1/2"	7 1/4"	4 NAILERS

MATERIAL:

___ 22 GA. GALVANIZED STEEL

___ .040" ALUMINUM

COLOR: _____

FINISH: _____

Fabrication will proceed only after receipt of signed print approval.

Print Approval:

Architect and/or contractor shall verify all dimensions, sizes and quantities. All products to be installed in strict accordance with Metal-Era's printed instructions.

Approved by: _____

Date: _____

QUANTITIES:

_____ LINEAL FEET *12'-0" LENGTHS

*COVER SUPPLIED IN 4'-0" LENGTHS

_____ OUTSIDE MITERS @ 90°

_____ INSIDE MITERS @ 90°

_____ RIGHT ENDCAPS

_____ RIGHT ENDCAPS

FOR NON-90 MITERS SEE PRINT APPROVAL #11010-1103

PROJECT:

ARCHITECT:

ROOFING CONTRACTOR:

REPRESENTATIVE/DISTRIBUTOR:

Corporate Offices, Manufacturing
1600 Airport Road; Waukesha, WI 53188
Phone: 800-558-2162
Fax: 800-373-9156
www.metalera.com



DATE: 06/09/17

DRN BY: JJC

CKD BY: SAK

SHT.# ___ OF ___

DWG# 11010-1382

L