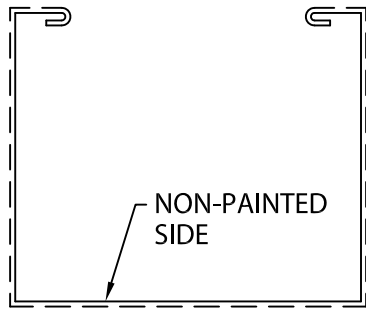
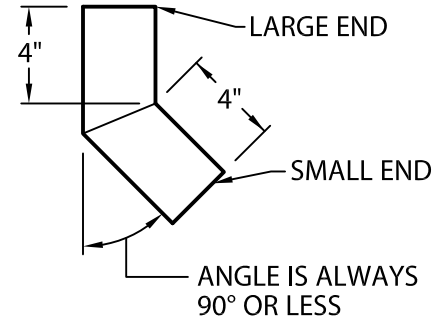
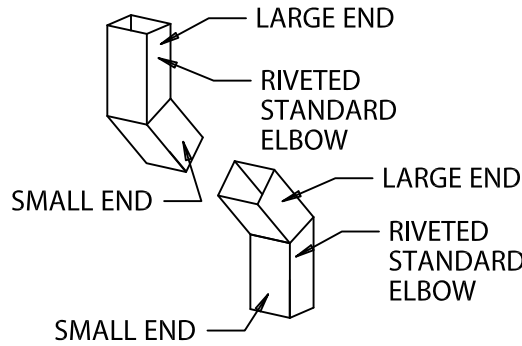


INDUSTRIAL DOWNSPOUT

OPEN FACE VERSION



--- = PAINTED



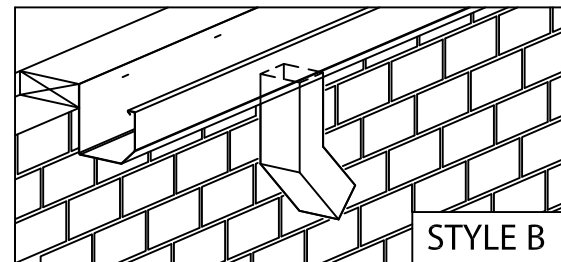
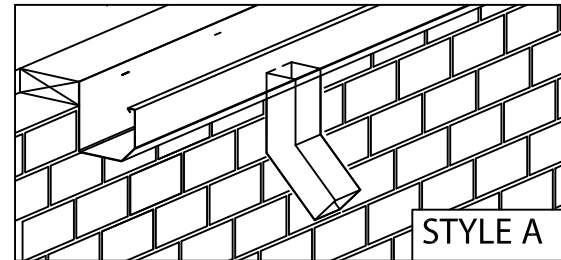
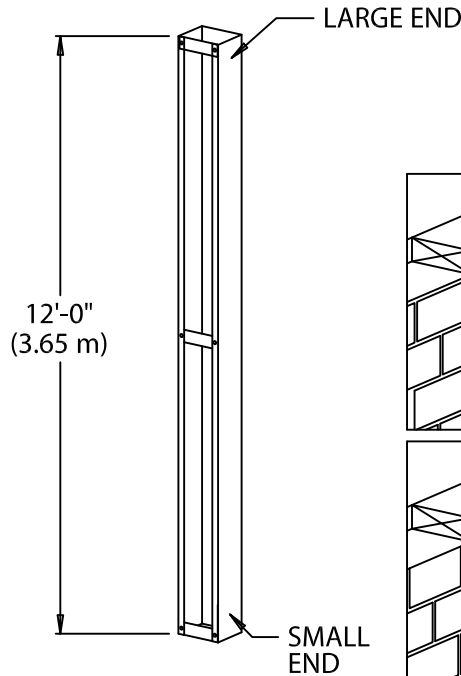
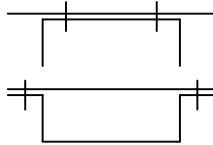
STANDARD ELBOW

DOWNSPOUT STRAPS

(SELECT STYLE BELOW, IF STYLE IS NOT SELECTED STYLE 2 WILL BE PROVIDED)

STYLE 1

STYLE 2



Fabrication will proceed only after receipt of signed print approval.

Print Approval:

Architect and/or contractor shall verify all dimensions, sizes and quantities. All products to be installed in strict accordance with Carlisle SynTec, Inc.'s printed instructions.

Approved by: _____

Date: _____

MATERIAL:

__ 24 Ga. Steel

__ .040" Alum.

__ .050" Alum.

__ .063" Alum.

__ Other : _____

Color: _____ Finish: _____

QUANTITIES:

_____ Lineal Feet 12'-0" Size _____" x _____"

_____ Outlets

_____ Standard Elbows (_____)° STYLE: A __ B __

_____ Standard Elbows (_____)° STYLE: A __ B __

PROJECT:

ARCHITECT:

ROOFING CONTRACTOR:

REPRESENTATIVE/DISTRIBUTOR:

Customer Service
866-458-3537
(Metal-Era)



DATE: 04/26/17

DRN BY: JAB

CKD BY: SAK

SHT.# ____ OF ____

DWG# 15013-1731

F